



ANQIAN STREET, BEILUO INDUSTRY AREA,
SHOUGUANG, SHANGDONG, CHINA

0086- 5365109511

0086- 5365598016

email to:

salesfan@sanyangwood.cn

kitchencabinetmanager@gmail.com

WWW.sanyangwood.cn



SANYANG
WOOD INDUSTRY CO.,LTD.



Table of Contents

Wall Cabinets	5—11
Base Cabinets	12—15
Pantries	16—17
Vanities	18—19
Moulding	20—21
Filler & Panels	22—23
Accessories	24—25
Price List	26—31

About us

SANYANG



ABOUT SANYANG CABINETRY









**LISTING
CERTIFICATE**

THIS CERTIFIES THAT

**Skyline Cabinetry
Farmers Branch, TX**

Certificate Number: 17133
Issue Date: October 30, 2017

is a current participant in the Kitchen Cabinet Manufacturers Association Certification Program and is manufacturing the following lines of kitchen cabinets and/or bathroom vanity cabinets in conformance with American National Standard ANSI/KCMA A161.1-2017, *Performance and Construction Standard for Kitchen and Vanity Cabinets*:

	Factory Assembled	
Charleston Saddle	Shaker Espresso	Shaker White
Charleston White	Shaker Grey	

These cabinet lines are listed in the Kitchen Cabinet Manufacturers Association Directory of Certified Cabinet Manufacturers. This manufacturer is authorized to apply KCMA Certification Seals to the kitchen and bath cabinet lines listed above.

This certificate may be updated at any time and will expire on the date listed above. This certificate may also be canceled for non-conformity with the requirements of the Certification Program or upon voluntary withdrawal from the program by the manufacturer.



Charles P. Arnold
Director of Certification

This certificate is current as of the issue date
Current listing information is at www.kcma.org

Certificate – Сертификат – 證明書 – 證書 – 증명서 – 證書



Certificate of Compliance

No. CE180419.SSWUD03
Test Report no. MIC2-2018041201-CFR

Certificate's Holder: Shouguang Sanyang Wood Industry Co., Ltd.
South of Anyang Street, East of Tegang Road, Shouguang, Shandong, China

Certification ECM Mark: 

Product: Plywood / MDF / Film faced plywood / Particle board
Model(s): Plywood 2-25mm
MDF 2-25mm
Film Faced Plywood 9/12/15/18/21/25mm
Particle Board 9/12/15/18/21/25mm

Verification to: Standard: EN 13986-2004+A1:2015
related to CE Directive(s): R 305/2011 (Regulation for the Marketing of Construction Products)

Remarks: The product(s) has been verified on a voluntary basis. The product(s) satisfies the requirements of the Certification Mark of ECM. In reference to the above listed Standard(s), the above Compliance Mark can be affixed on the product(s) according to the ECM regulation about its release and its use. The regulation can be found of www.enfocert.com. This Certificate of Compliance can be checked for validity at www.enfocert.com. (This verification doesn't imply assessment of the production of the product(s)).

Additional information, clarification about the CE Marking:
We attest that a TCF for the CE marking process is in place. Whereas the Manufacturer is responsible to start the CE Marking Certification Procedure through an appointed notified body and to perform all the necessary activities, as required by the Directive and accepted by the notified body, before placing the CE Mark on the product(s).

CE 

Date of issue 19 April 2018 Expiry date 18 April 2023

Chief Manager  Deputy Manager 

Enfocert Certification Marking Srl
Via Ca' della Seta, 343 - Loc. Casello di Senovalle - 40053 Valsamoggia (BO) - ITALY
☎ +39 051 4705141 ☎ +39 051 4705154 ✉ info@enfocert.com 🌐 www.enfocert.com



**QUALITY MANAGEMENT SYSTEM
CERTIFICATE**

The certificate information is available on the CNCA of the official website (www.cnca.gov.cn)

This is to certify that the quality management system of
SHOUGUANG SANYANG WOOD INDUSTRY CO., LTD.
is in conformity with
ISO9001:2015
This certificate covers the following scope of

PRODUCE AND SALES FOR SOLID WOOD FURNITURE AND PANEL BOARD FURNITURE,
SALES FOR PLYWOOD, MDF, PARTICLE BOARD, BLOCKBOARD

This certificate will not remain valid unless and until the certified customer accepts at least once surveillance audit annually within the validity period of the certificate and the surveillance audit certificate mark is affixed to the design/production on the certificate. Please login to www.cnca.com for the certificate validity status.

Issue Date: Dec-01-2016 Expiration Date: Dec-08-2019 End

Issued by: 







**CERTIFICATE
OF REGISTRATION**

This is to certify that

Shouguang Sanyang Wood Industry Co., Ltd.

South of Anyang Street, East of Tegang Road, Shouguang, Weifang, Shandong, 262700, CHINA

Complies with the requirements of
FSC Standard for Chain of Custody Certification
for the following scope of registration

Tracking of wood based material
Product types: Indoor furniture W12, Plywood W8.1.2, Particleboard W8.2,
Medium-density fibreboard (MDF) W8.3.2
Claim: FSC 100%, FSC Mix
System(s) used: Transfer
Certificate type: Single site
Standard(s) version: FSC-STD-40-404 V3-0 and FSC-STD-60-401 V2-0

SAI Certificate No.: F00041677	Issue Date:	19 April 2018
FSC Code: SAI-COC-002927	Original Certification Date:	16 April 2018
SAI File Number: A0599271	Current Certification Date:	16 April 2018
	Certificate Expiry Date ¹⁾ :	16 April 2023
	Issue Number:	1



Nicola Grantham
General Manager SAI Global Certification Services




SANYANG WOOD INDUSTRY CO., LTD.

Cabinet Construction

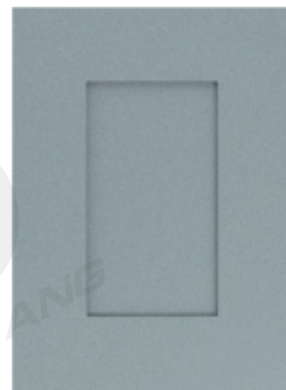


- 1 Full overlay panel, 3/4 inch thick solid wood
- 2 6-way adjustable European-style hinge with soft-close feature
- 3 Shelving is 3/4 inch thick cabinet-grade plywood with front edge banding
- 4 Dovetail drawers with solid wood on all sides, full extension
- 5 Under-mount full extension drawer glides with soft-close feature
- 6 1/2 inch cabinet-grade plywood box, UV coated natural plywood on interior
- 7 Bracket reinforcements for base cabinet
- 8 Double-doweled face frame joint
- 9 Hardwood face frame
- 10 Door bumpers

Door Styles



SW
Shaker White



GR
Shaker Gray



SE
Shaker Espresso



FW
Floral White
(Builder Grade)



CW
Charleston White



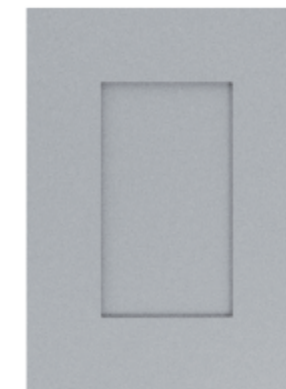
CS
Charleston Saddle

How to Order

To order:

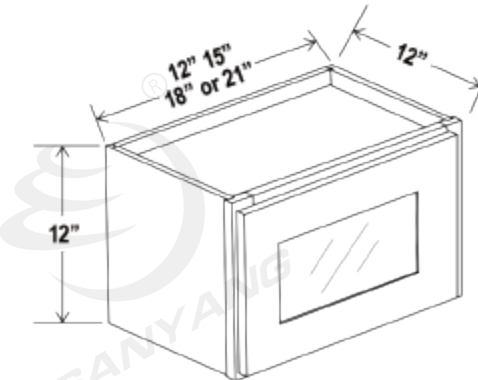
Specify the 2-letter door style (shown on the inside front cover of this book), followed by the product number for the cabinet.

Example: **GR-W1812GD** would be the product number to use to order a Shaker Gray (**GR**) Wall Cabinet, 12" high, 18" wide and 12" deep with a Single Glass Door (shown on page 3) (**W1812GD**).



GR
Shaker Gray

Wall Cabinet Single Glass Doors, 12"H



W1212GD

W1512GD

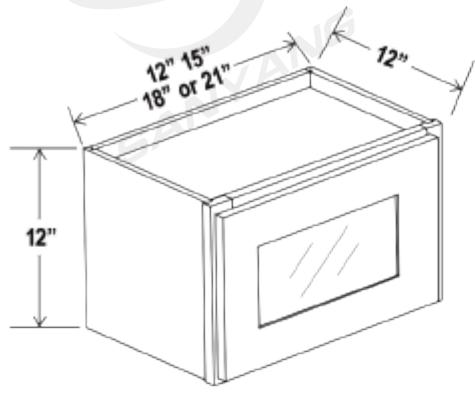
W1812GD

W2112GD

Wall Cabinet Specifications

Wall Cabinets

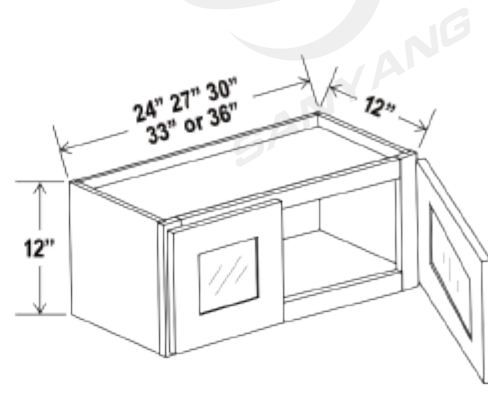
Wall Cabinet Single Glass Doors, 12" H



- W1212GD
- W1512GD
- W1812GD
- W2112GD

Clear glass included

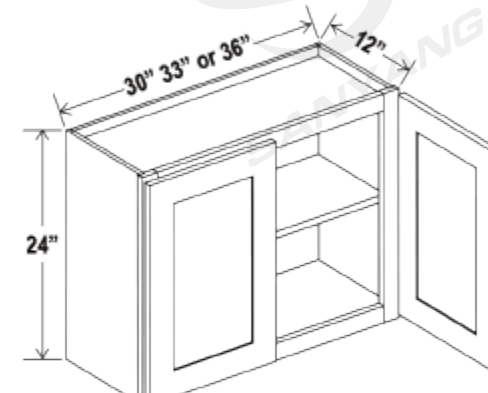
Wall Cabinet Double Glass Doors, 12" H



- W2412GD
- W2712GD
- W3012GD
- W3312GD
- W3612GD

Clear glass included

Wall Cabinet Double Doors, 24" H



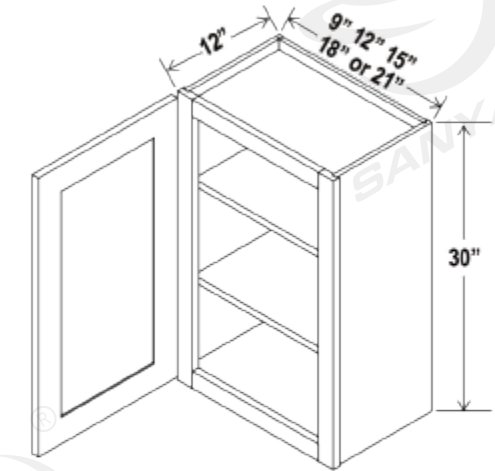
- W3024
- W3324
- W3624

One adjustable shelf

Wall Cabinet Specifications

Wall Cabinets

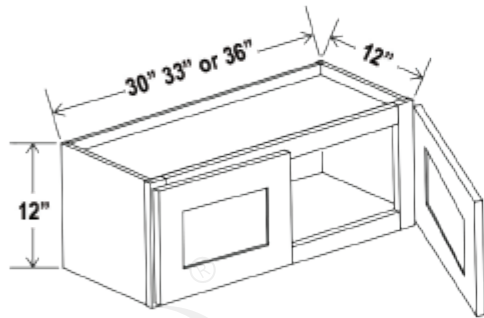
Wall Cabinet Single Door, 30" H



- W0930
- W1230
- W1530
- W1830
- W2130

Two adjustable shelves

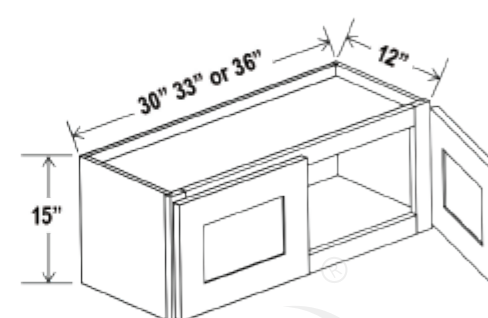
Wall Cabinet Double Doors, 12" H



- W3012
- W3312
- W3612

No shelf

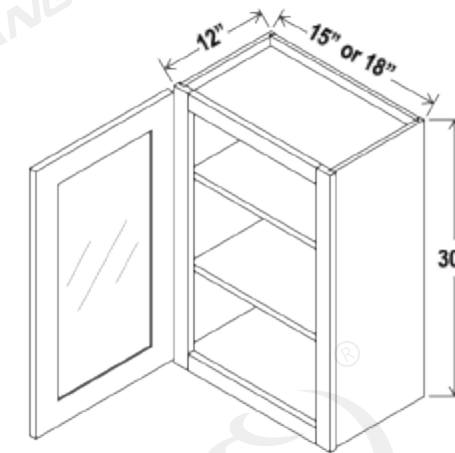
Wall Cabinet Double Doors, 15" H



- W3015
- W3315
- W3615

No shelf

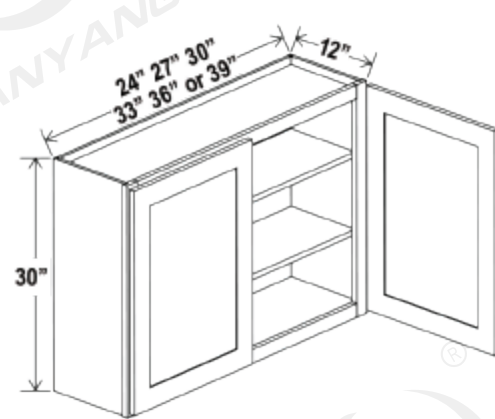
Wall Cabinet Single Glass Door, 30" H



- W1530GD
- W1830GD

Clear glass included

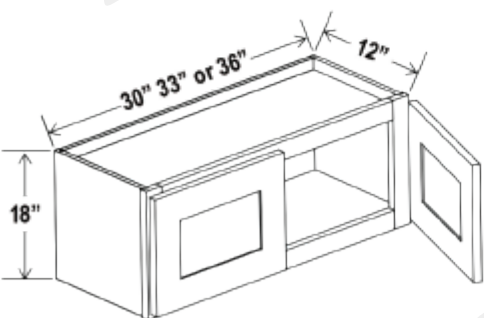
Wall Cabinet Double Doors, 30" H



- W2430
- W2730
- W3030
- W3330
- W3630
- W3930

Two adjustable shelves

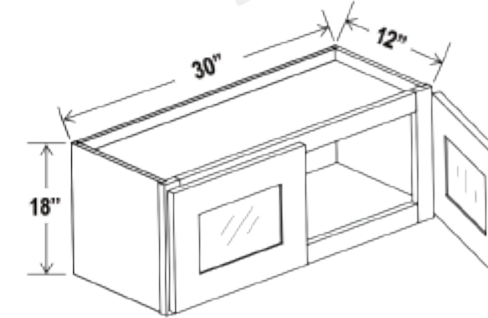
Wall Cabinet Double Doors, 18" H



- W3018
- W3318
- W3618

No shelf

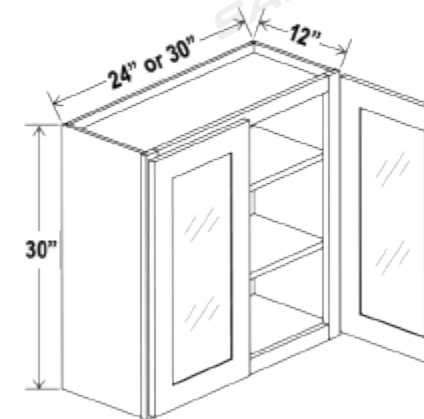
Wall Cabinet Double Glass Doors, 18" H



- W3018GD

Clear glass included

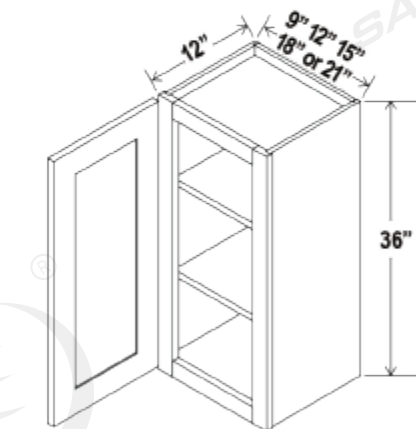
Wall Cabinet Double Glass Doors, 30" H



- W2430GD
- W3030GD

Clear glass included

Wall Cabinet Single Door, 36" H

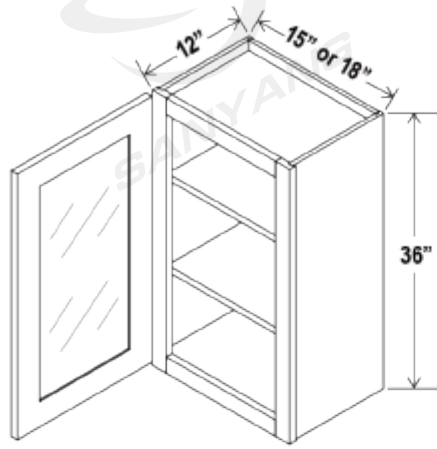


- W0936
- W1236
- W1536
- W1836
- W2136

Clear glass included

Wall Cabinet Specifications

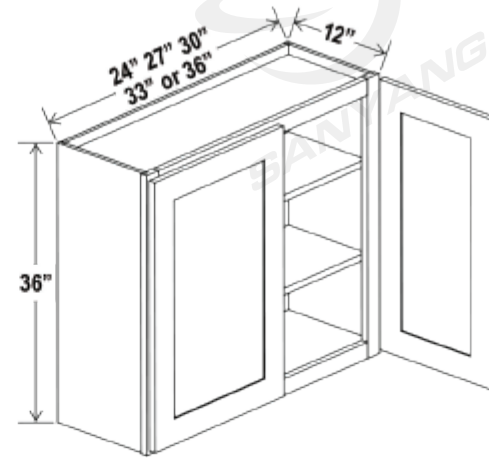
Wall Cabinet Single Glass Door, 36" H



W1536GD
W1836GD

Clear glass included

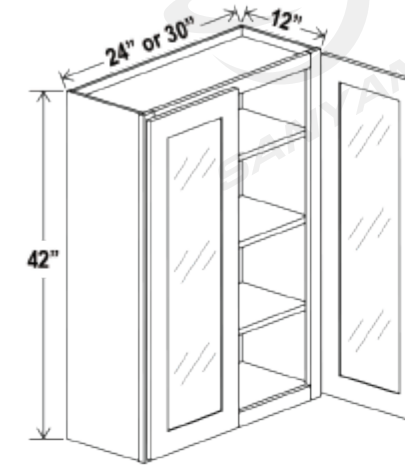
Wall Cabinet Double Doors, 36" H



W2436
W2736
W3036
W3336
W3636

Two adjustable shelves

Wall Cabinet Double Glass Doors, 42" H

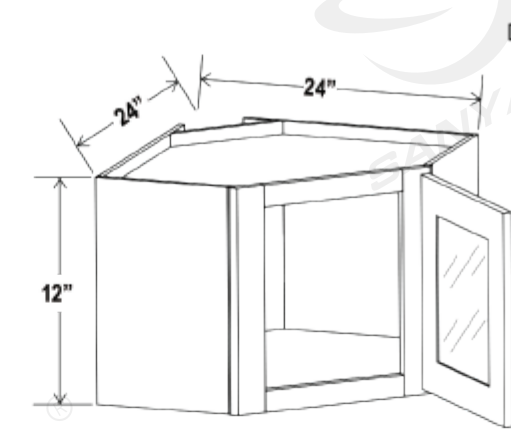


W2442GD
W3042GD

Clear glass included

Wall Cabinet Specifications

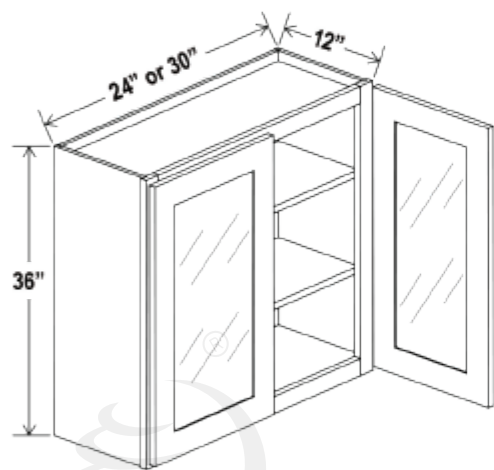
Diagonal Corner Wall Glass Door



DCW2412GD

Clear glass included

Wall Cabinet Double Glass Doors, 36" H



W2436GD
W3036GD

Clear glass included

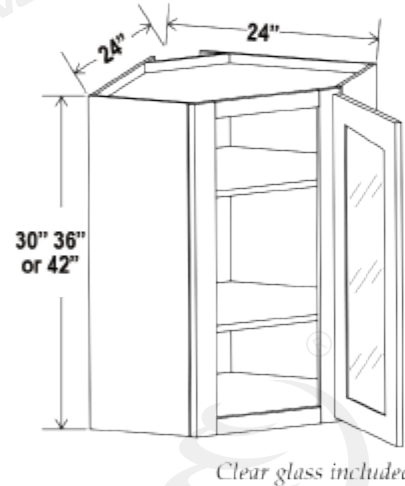
Wall Cabinet Single Door, 42" H



W0942
W1242
W1542
W1842
W2142

Two adjustable shelves

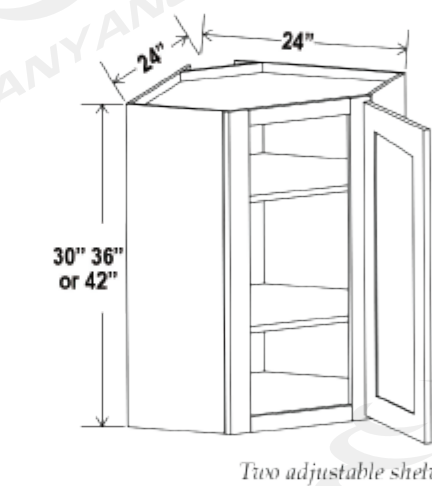
Diagonal Corner Wall Glass Door



DCW2430GD
DCW2436GD
DCW2442GD

Clear glass included

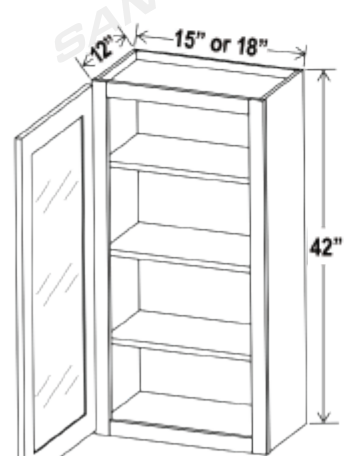
Diagonal Corner Wall Single Door



DCW2430
DCW2436
DCW2442

Two adjustable shelves

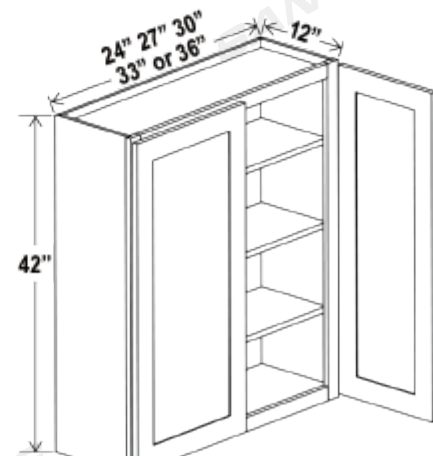
Wall Cabinet Single Glass Door, 42" H



W1542GD
W1842GD

Clear glass included

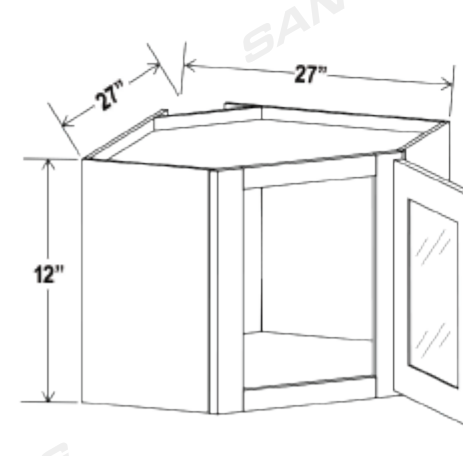
Wall Cabinet Double Doors, 42" H



W2442
W2742
W3042
W3342
W3642

Three adjustable shelves

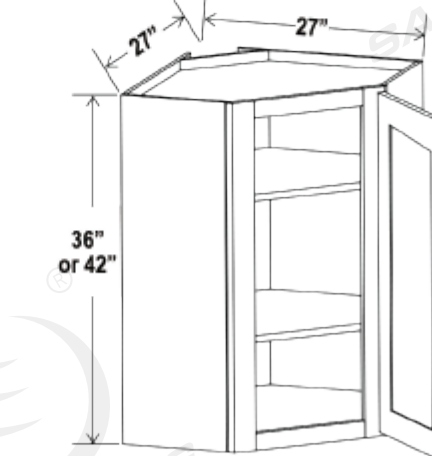
Diagonal Corner Wall Glass Door



DCW2712GD

Clear glass included

Diagonal Corner Wall Single Door

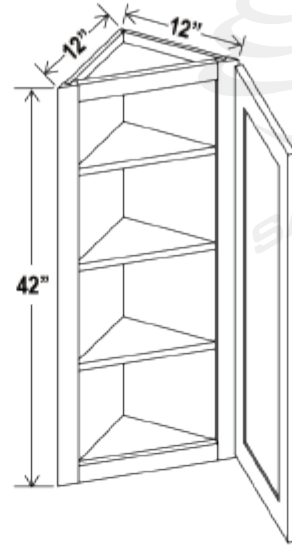
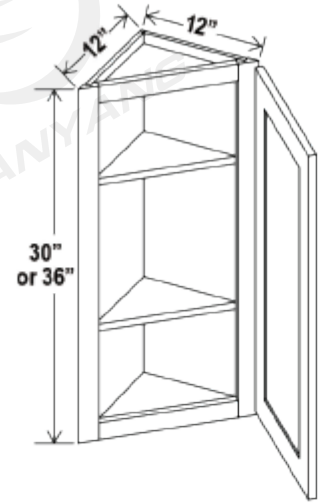


DCW2736
DCW2742

Two adjustable shelves

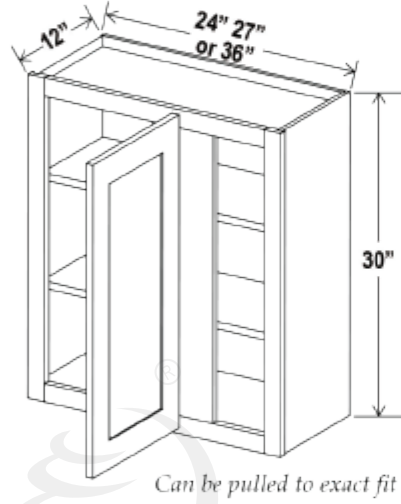
Wall Cabinet Specifications

Angle Wall Cabinet



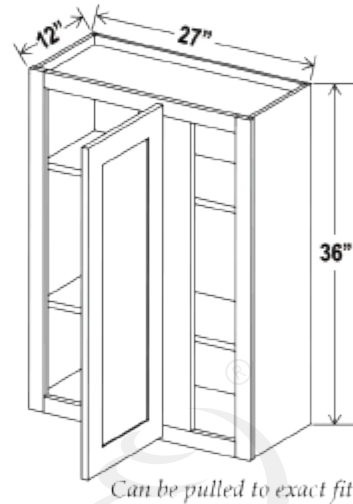
AW1230
AW1236
AW1242

Wall Blind Corner Cabinet, 30" H



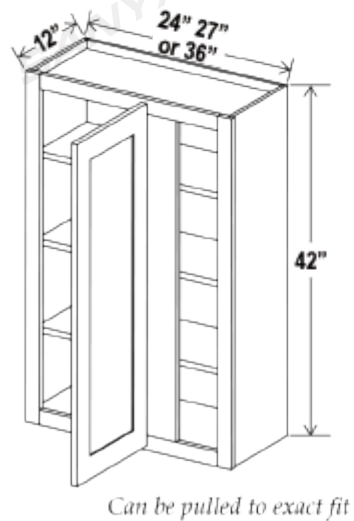
WBC2430
WBC2730
WBC3630

Wall Blind Corner Cabinet, 36" H



WBC2736

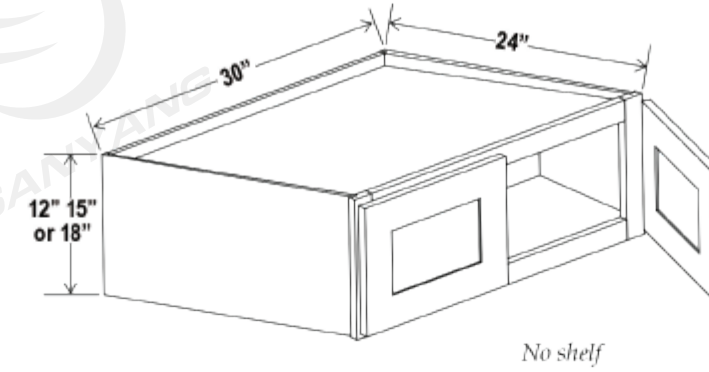
Wall Blind Corner Cabinet, 42" H



WBC2442
WBC2742
WBC3642

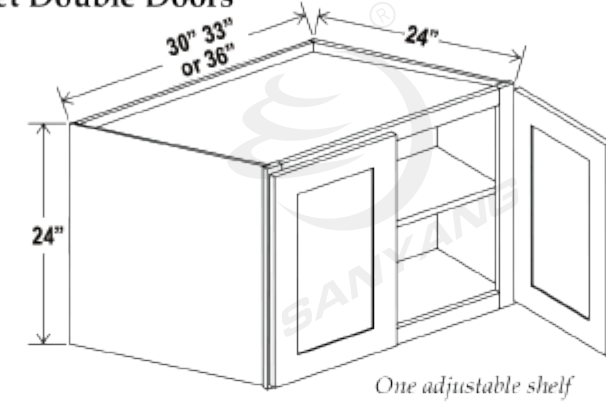
Wall Cabinet Specifications

Refrigerator Wall Cabinet Double Doors



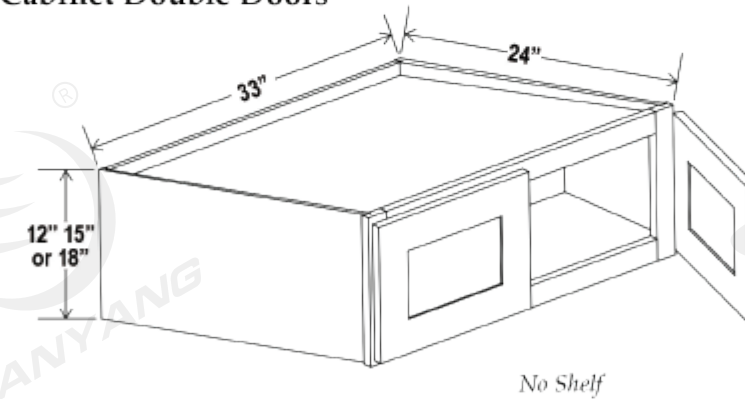
W301224
W301524
W301824

Refrigerator Wall Cabinet Double Doors



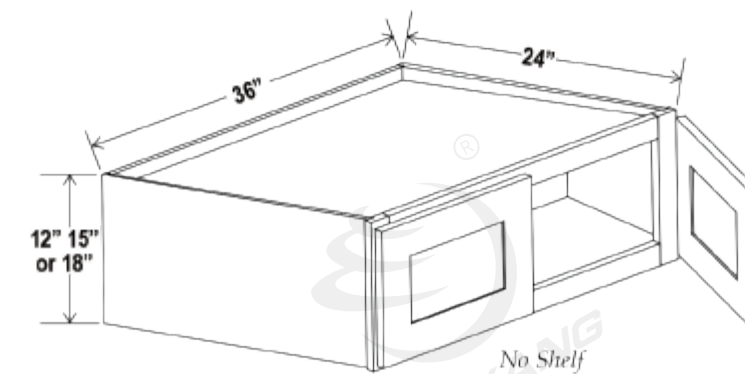
W302424
W332424
W362424

Refrigerator Wall Cabinet Double Doors



W331224
W331524
W331824

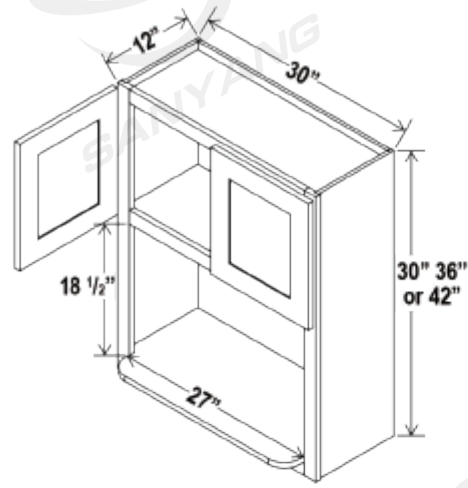
Refrigerator Wall Cabinet Double Doors



W361224
W361524
W361824

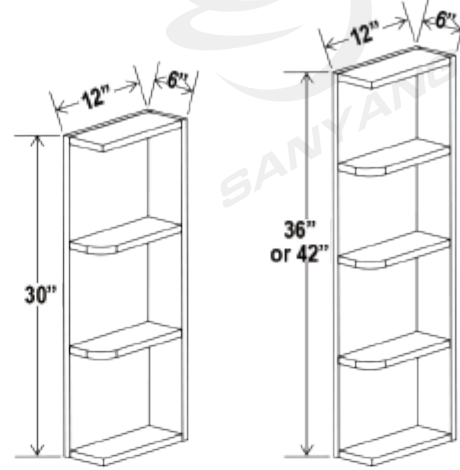
Wall Cabinet Specifications

Microwave Wall Cabinet



MO3030
MO3036
MO3042

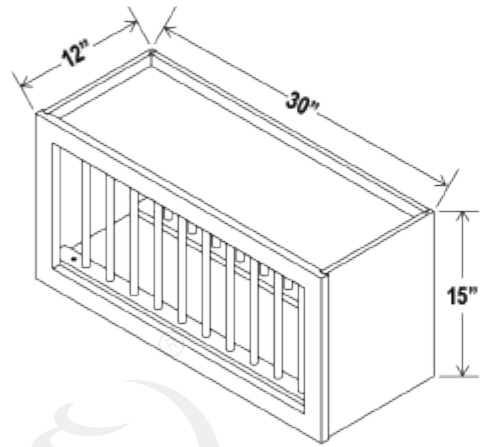
Open End Shelf



OE630
OE636
OE642

Matching color interior

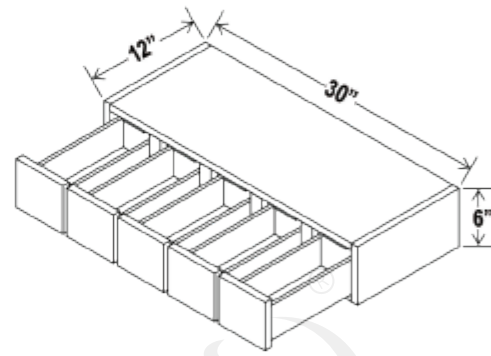
Plate Rack



PR3015

10 plate slots

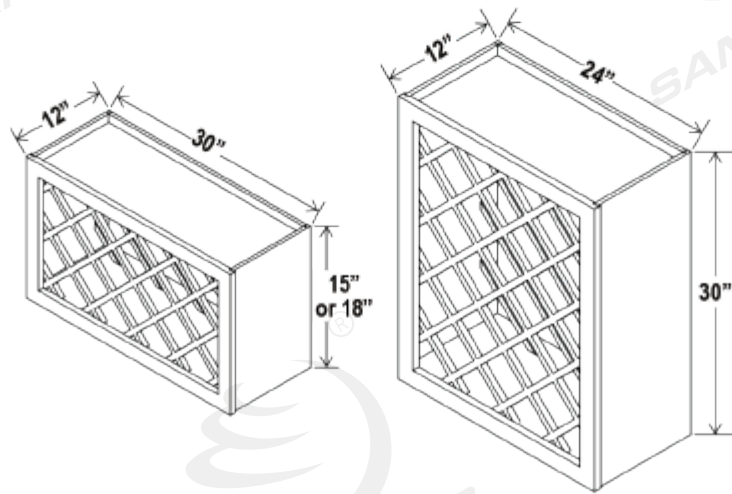
Wall Spice Drawer



WSD630

5 drawers

Wine Rack

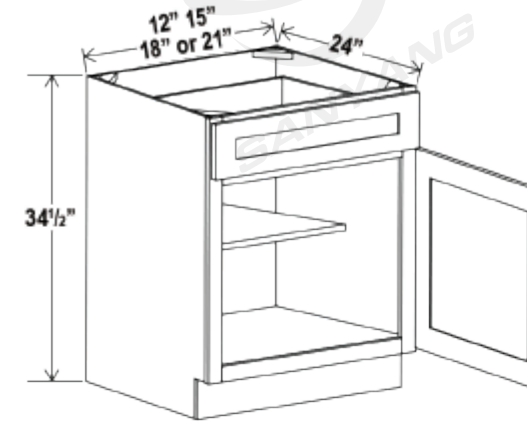


WRC3015
WRC3018
WRC2430

Can install vertically or horizontally

Base Cabinet Specifications

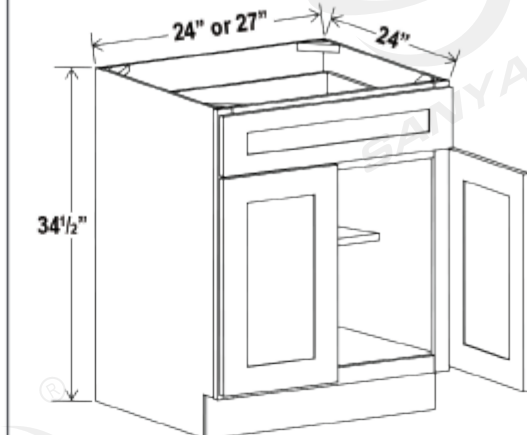
Base Cabinet Single Door, 30\"/>



B12
B15
B18
B21

One drawer

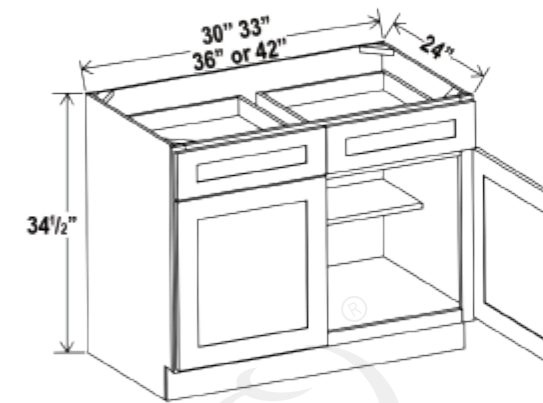
Base Cabinet Double Doors



B24
B27

One drawer

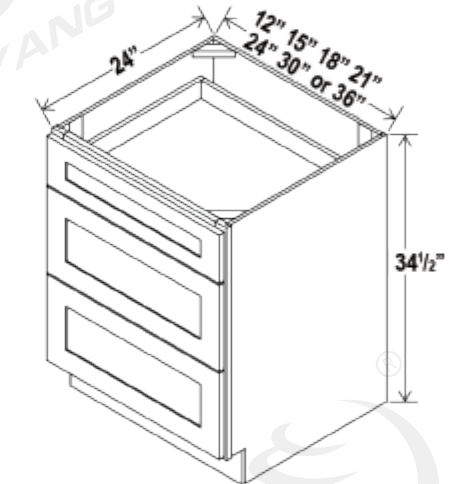
Base Cabinet Double Doors



B30
B33
B36
B42

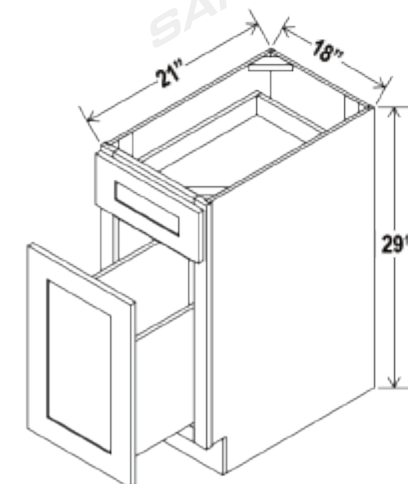
Two drawers

Drawer Base



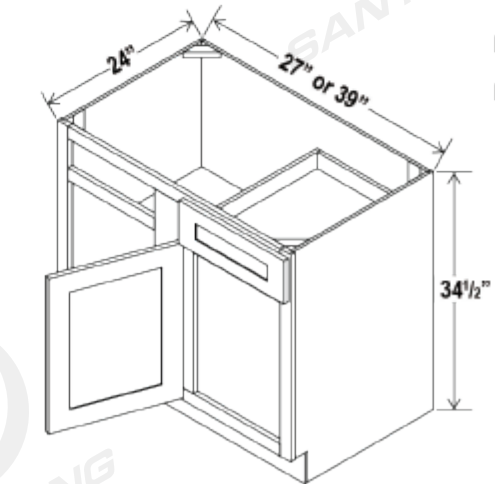
3DB12
3DB15
3DB18
3DB21
3DB24
3DB30
3DB36

Document File Base Cabinet



DFB18

Blind Corner Base Cabinet

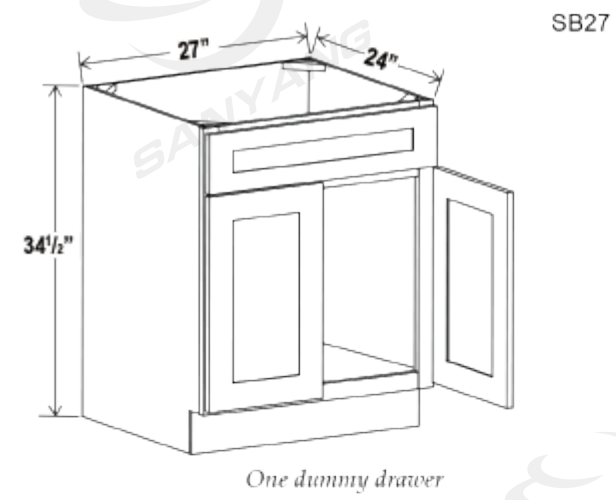


BBC36
BBC42

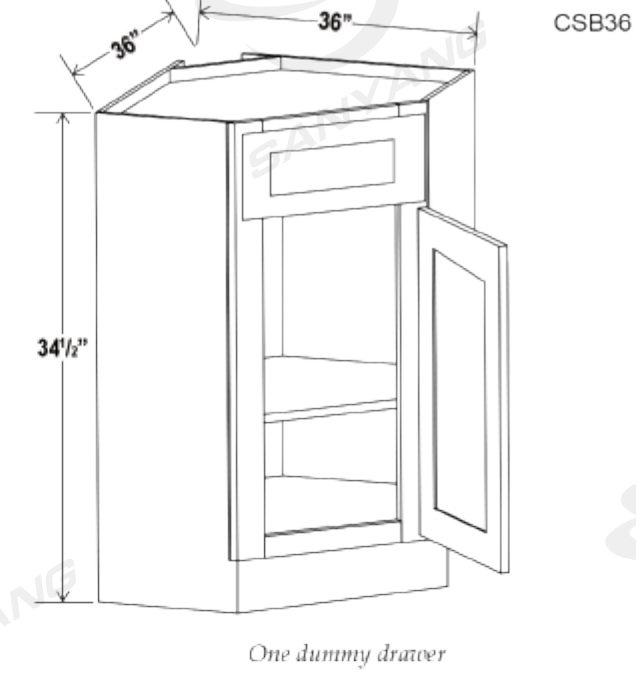
BBC36 install range 36\"/>

Base Cabinet Specifications

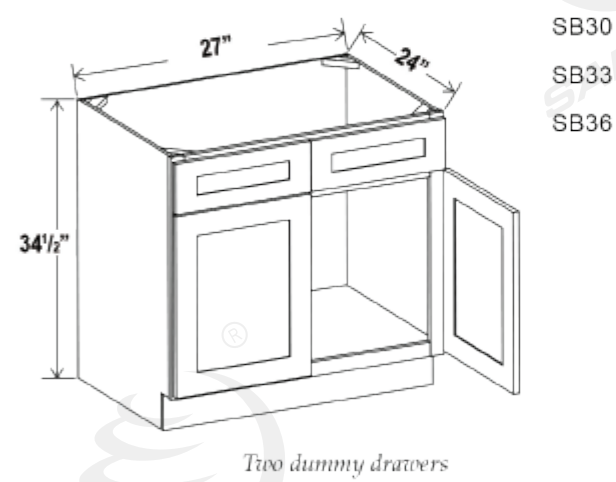
Sink Base



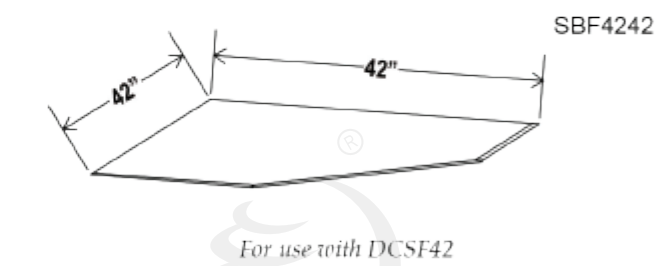
Corner Sink Base Cabinet



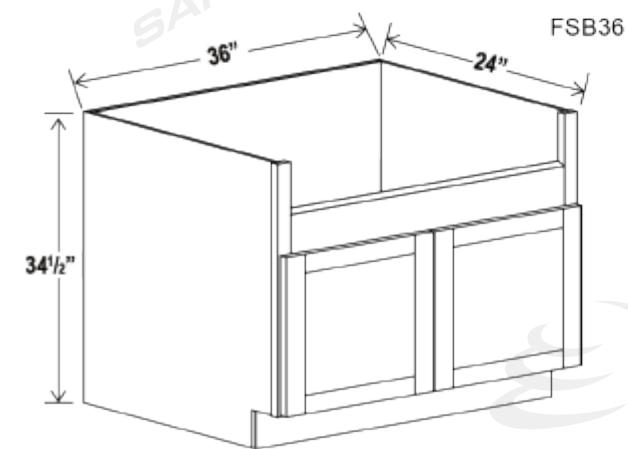
Sink Base



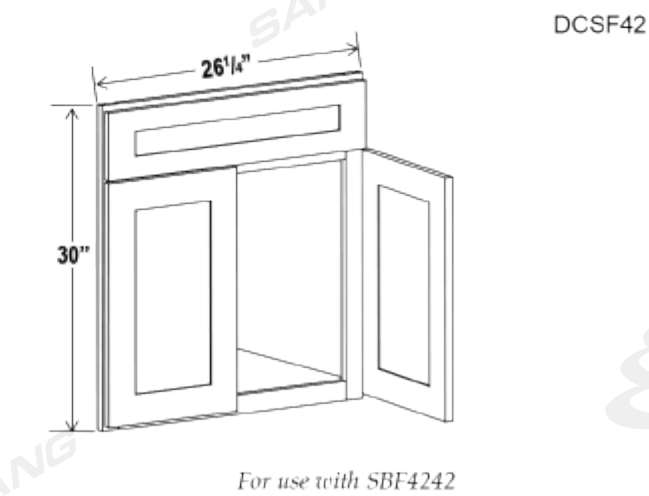
Corner Sink Front Floor



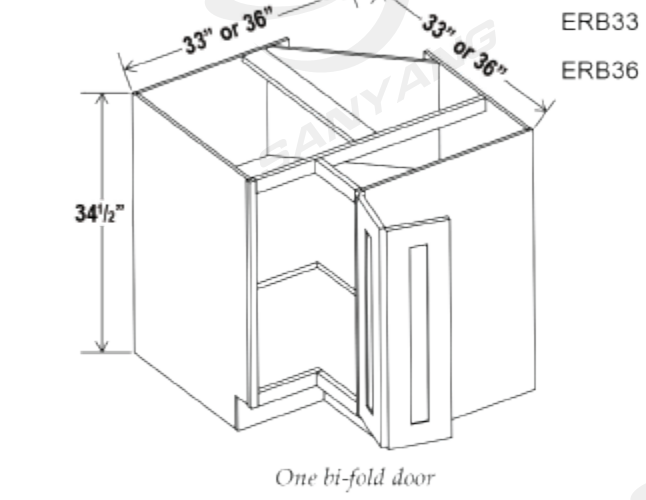
Farmhouse Sink Base



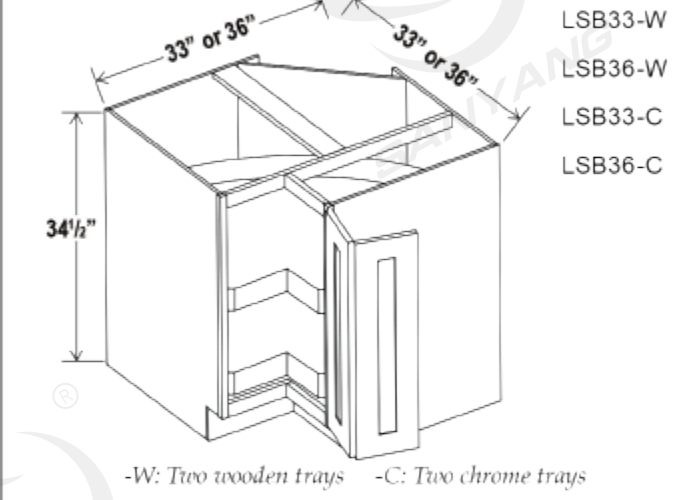
Corner Sink Base Front



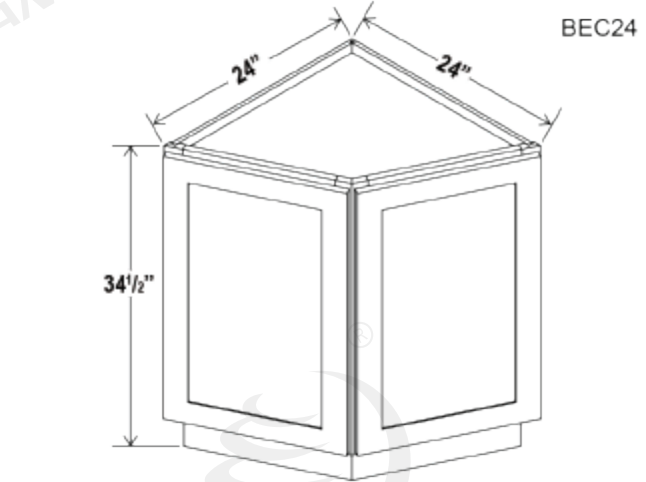
Easy Reach Base Cabinet



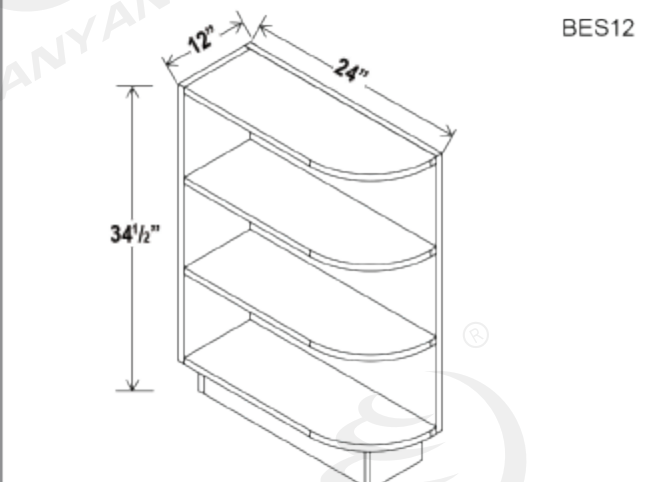
Lazy Susan Cabinet



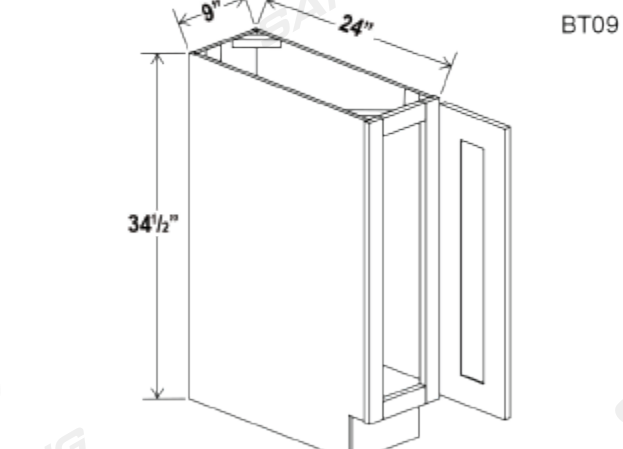
Base End Cabinet



Base End Shelf

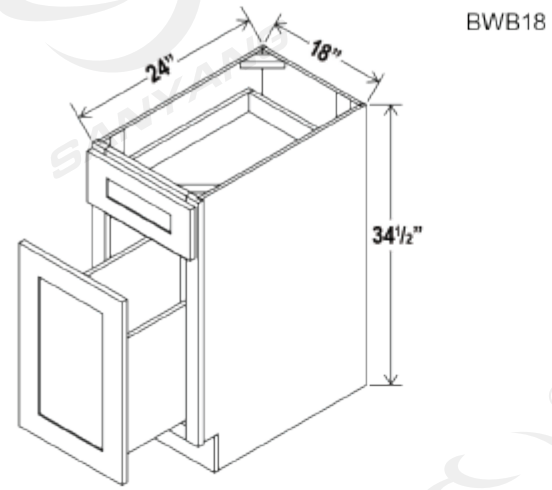


Base Tray

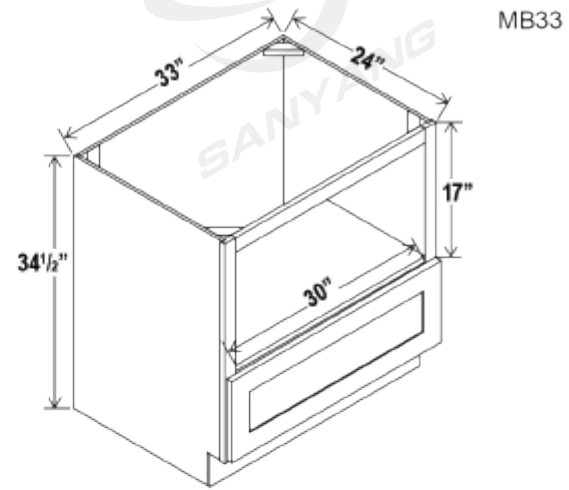


Base Cabinet Specifications

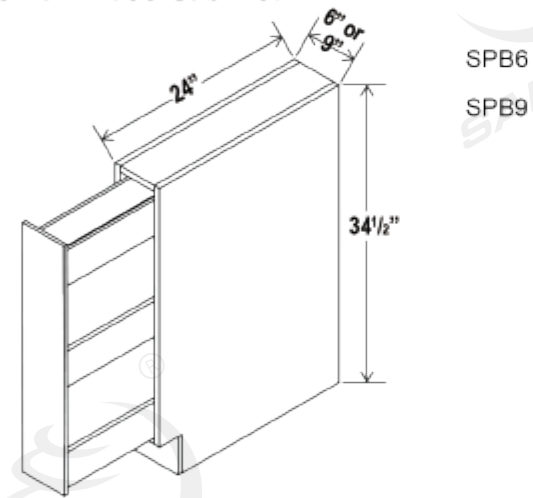
Base Waste Basket Cabinet



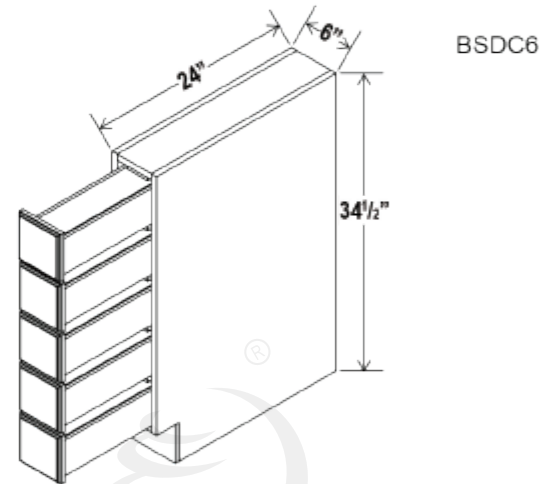
Microwave Base Cabinet



Spice Pull Base Cabinet

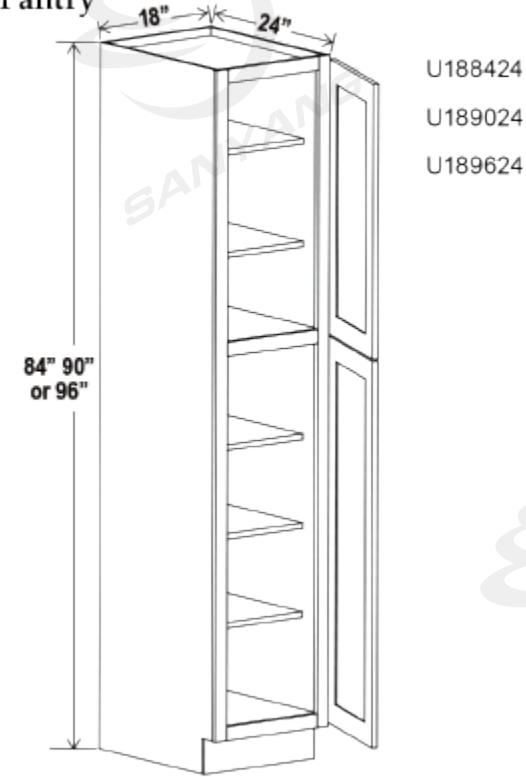


Base Spice Drawer



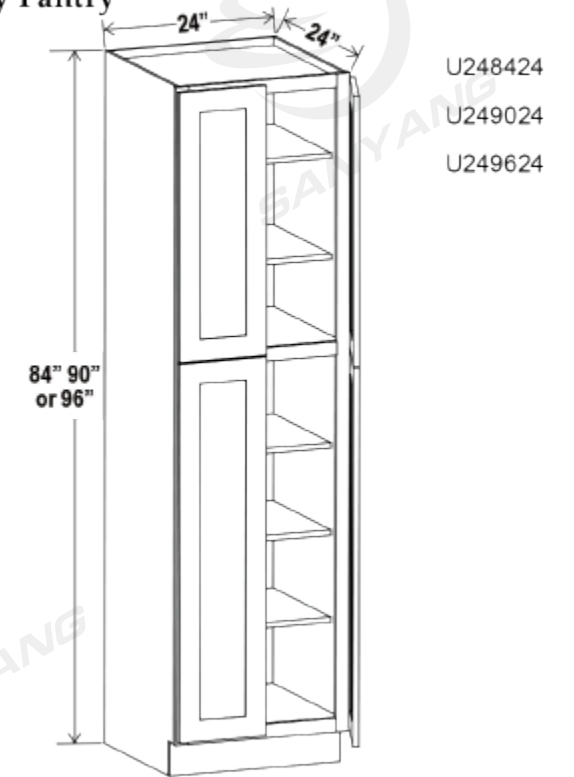
Tall Pantry Cabinet Specifications

Utility Pantry



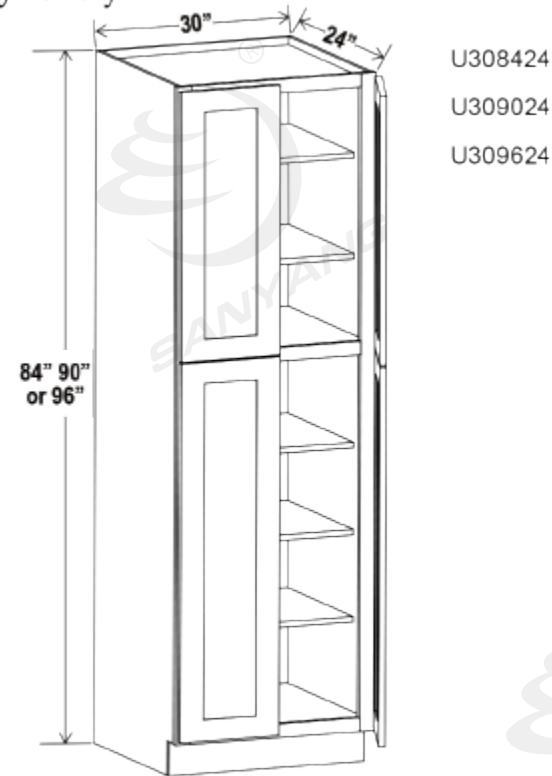
Two adjustable top shelves • Three bottom shelves
Note: Roll out shelf kits available for utility cabinets. See page 24.

Utility Pantry



Two adjustable top shelves • Three bottom shelves
Note: Roll out shelf kits available for utility cabinets. See page 24.

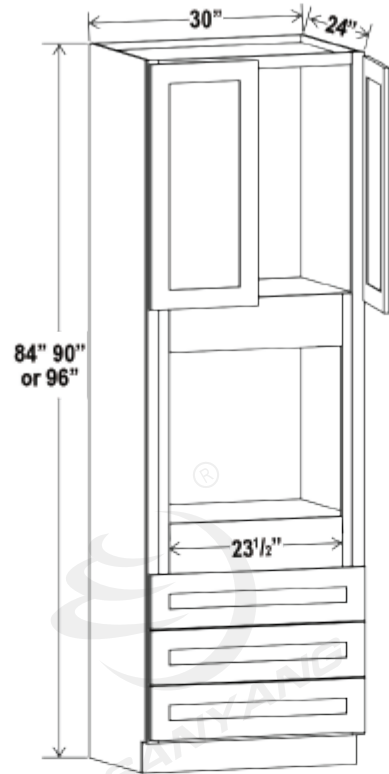
Utility Pantry



Two adjustable top shelves • Three bottom shelves
Note: Roll out shelf kits available for utility cabinets. See page 24.

Tall Pantry Cabinet Specifications

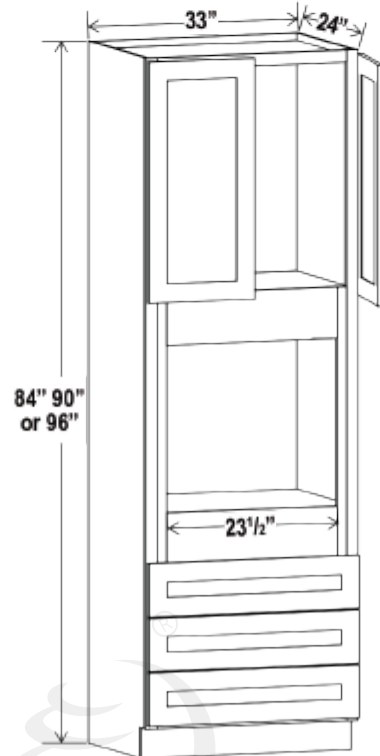
Oven Pantry



O308424
O309024
O309624

Two doors • One large open shelf • Three bottom drawers
Note: Drawers may be removed to accommodate double ovens.

Oven Pantry

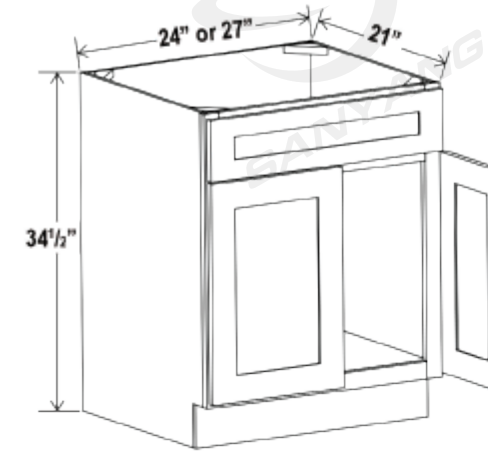


O338424
O339024
O339624

Two doors • One large open shelf • Three bottom drawers
Note: Drawers may be removed to accommodate double ovens.

Vanity Cabinet Specifications

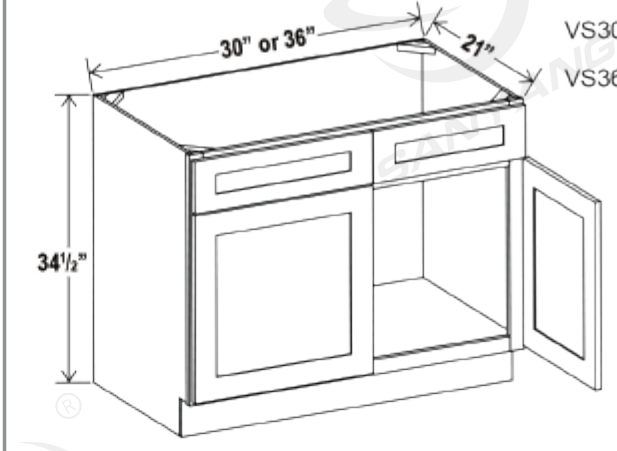
Vanity Sink Base



VS24
VS27

1 dummy drawer

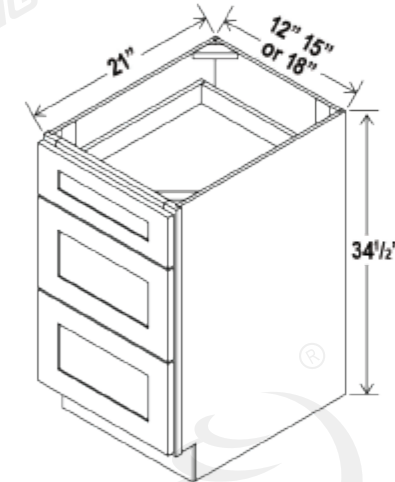
Vanity Sink Base



VS30
VS36

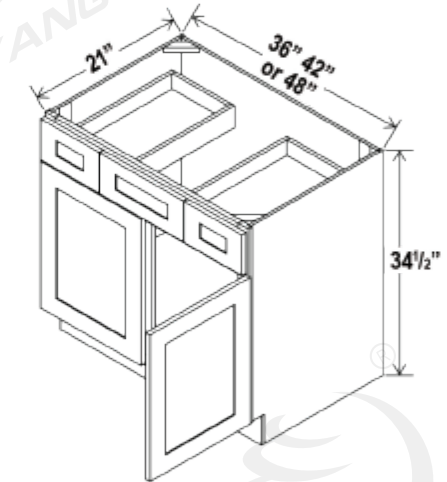
Two dummy drawers

Vanity Drawer Base Cabinet



3VDB12
3VDB15
3VDB18

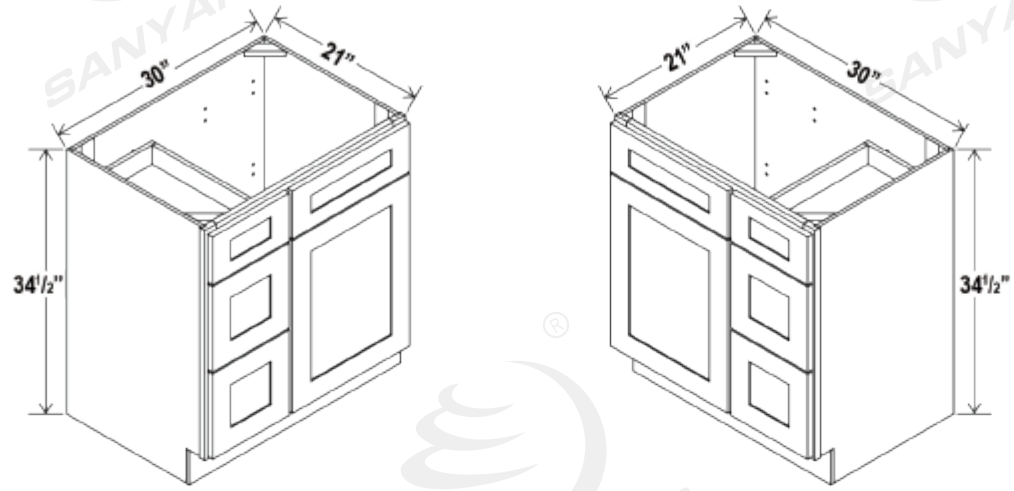
Vanity Combo



VSD36
VSD42
VSD48

Vanity Cabinet Specifications

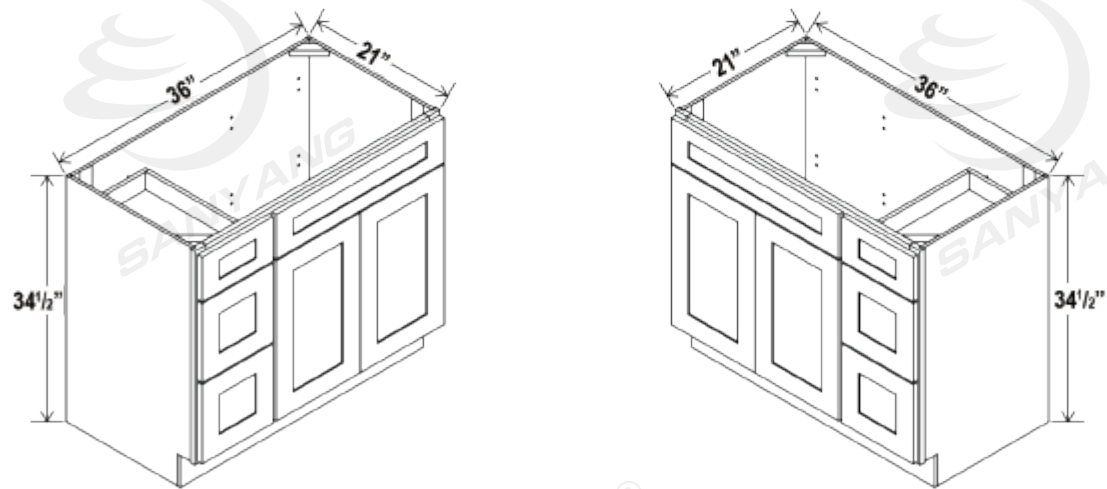
Vanity Combo



V3021DL
V3021DR

V3021DL: 30" combo with drawers on left • V3021DR: 30" combo with drawers on right

Vanity Combo

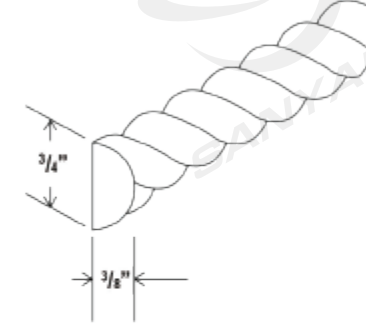


V3621DL
V3621DR

V3621DL: 36" combo with drawers on left • V3621DR: 36" combo with drawers on left right

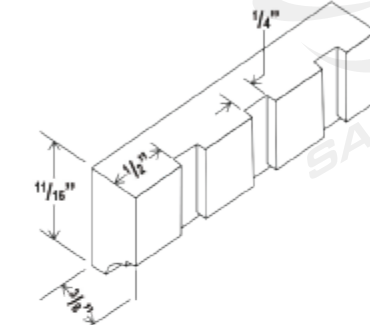
Moulding

Rope Moulding



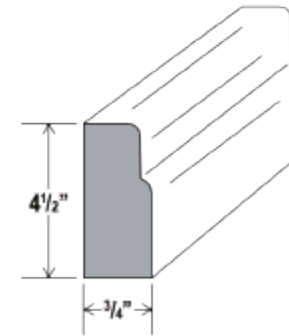
ROPE

Dentil Moulding



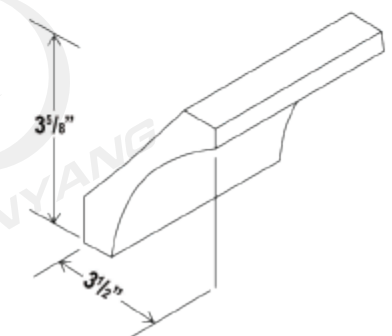
DMTIS

Furniture Base



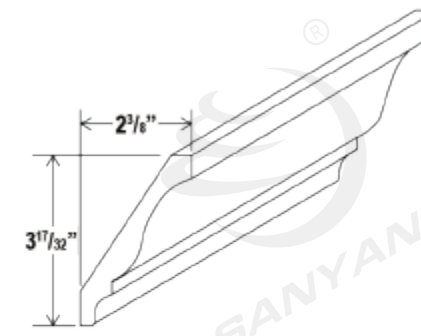
FBM

Cove Crown Moulding



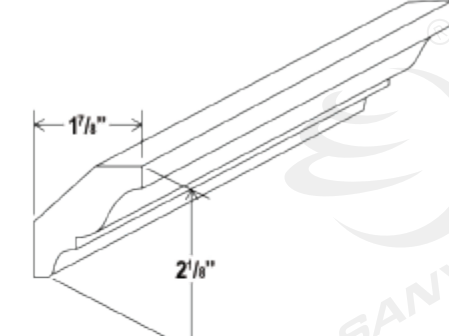
COV

Decorative Moulding



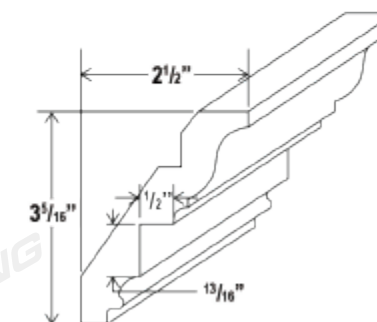
BCM8(DCM)

Crown Moulding



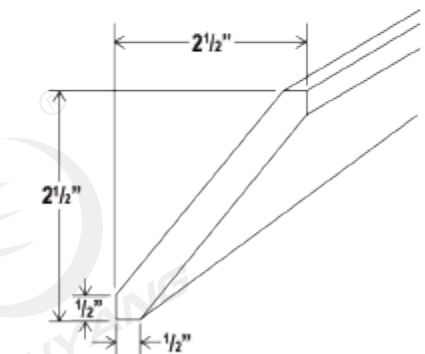
CM8

Inset Crown Moulding



RCM4S(LCM)

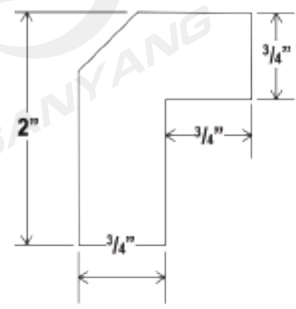
Angle Crown Moulding



ACM8

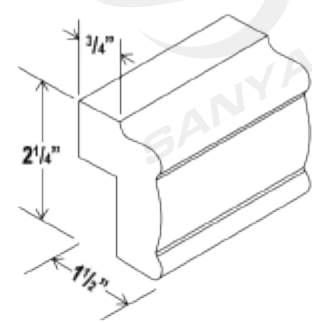
Moulding

Angle Light Rail Moulding



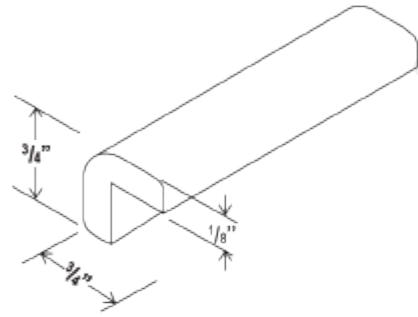
ALRM8

Light Rail Moulding



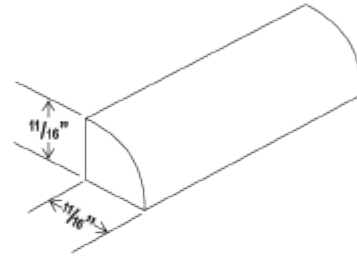
LRM8

Outside Corner Moulding



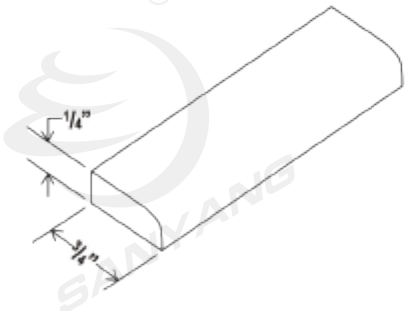
OCM8

Shoe Moulding



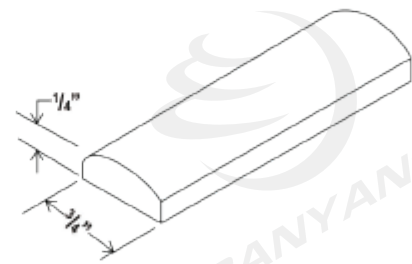
SHM

Scribe Moulding



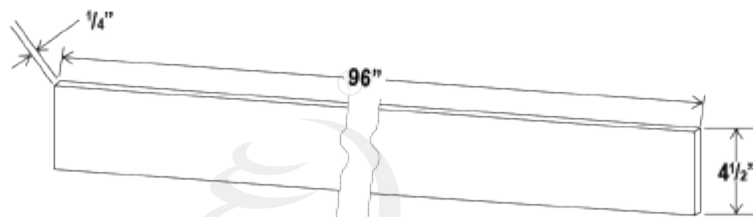
SM8(SCR)

Batten Moulding



BAM

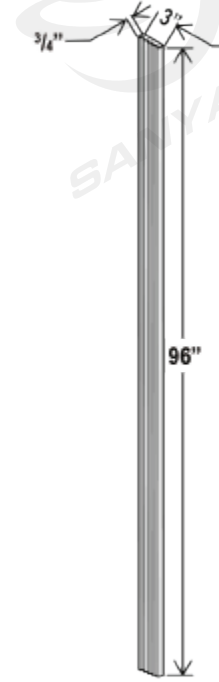
Toe Kick



TKC

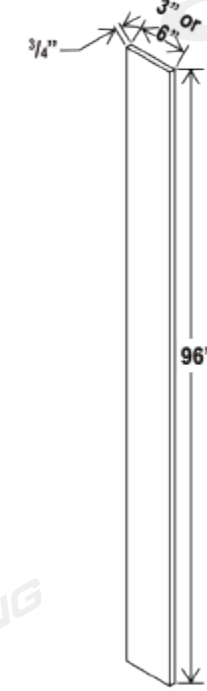
Fillers & Panels

Tall Fluted Filler



FF396

Tall Filler



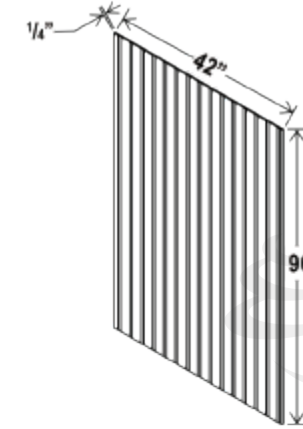
F396
F696

Filler



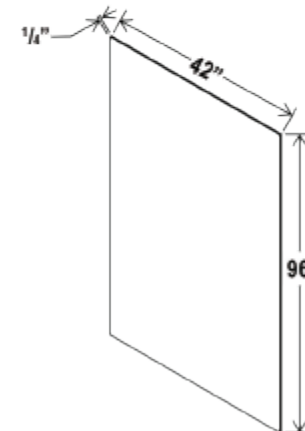
F342
F642

Bead Board Panel



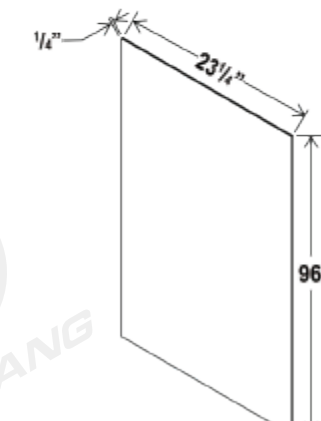
BBFPV4296

Finish Plywood Panel



FPV4296

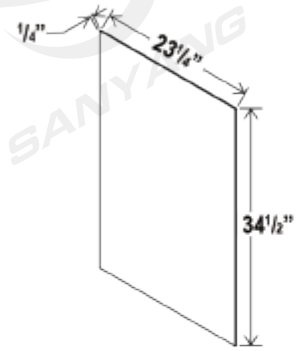
Tall Skin Veneer Panel



USV2496

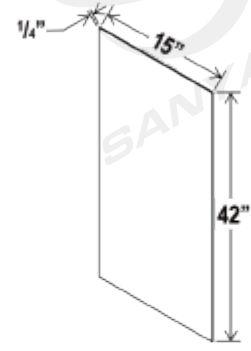
Fillers & Panels

Base Skin Veneer Panel



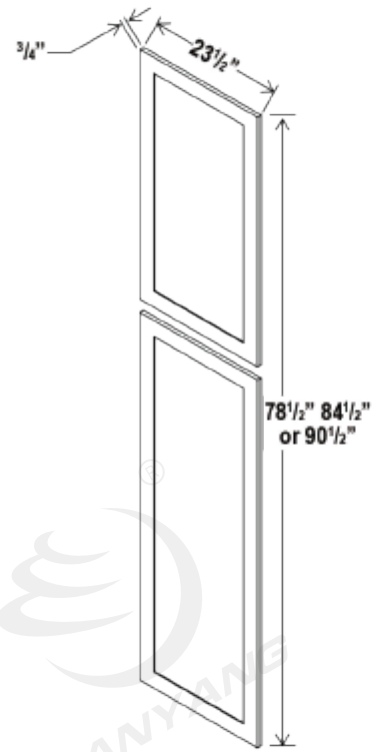
BSV

Wall Skin Panel



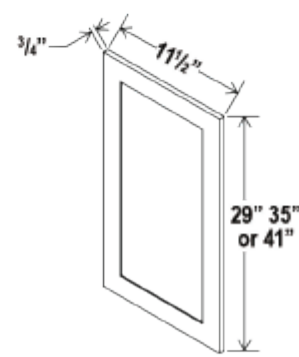
WSV42

Tall Decorative Door Panel



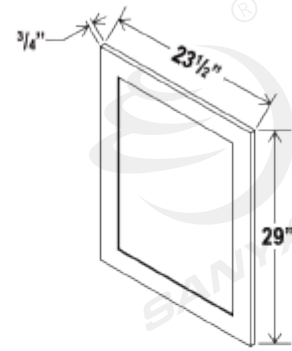
TDEP2484
TDEP2490
TDEP2496

Wall Decorative Door Panel



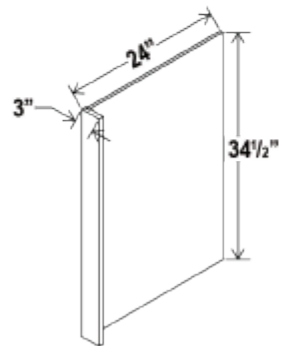
WDEP30
WDEP36
WDEP42

Base Decorative Door Panel



BDEP

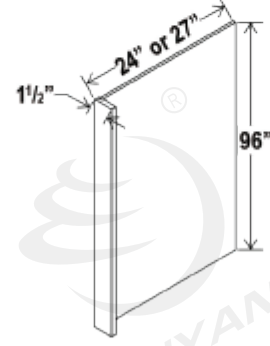
Dishwasher Return Panel



DWR3

Finished on both sides

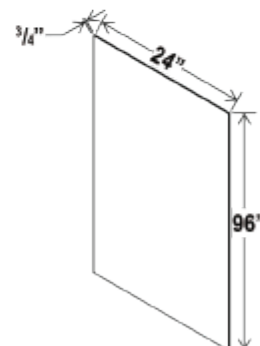
Refrigerator End Panel



REPV2496
REPV2796

Finished on both sides

Shelf Board

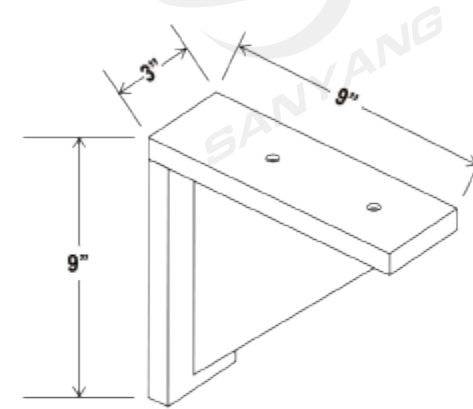


S2496

Finished on both sides

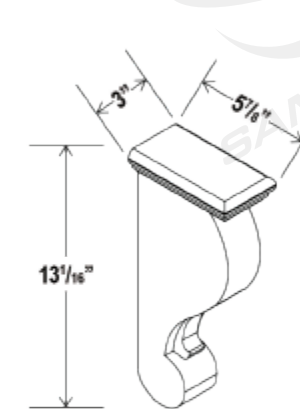
Accessories

Corbel



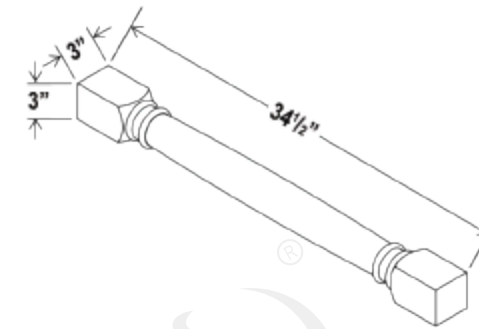
CB9

Corbel



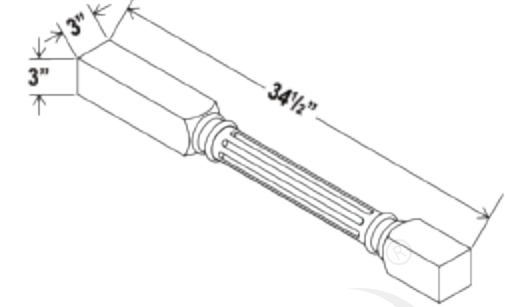
CBT

Classic Decorative Leg



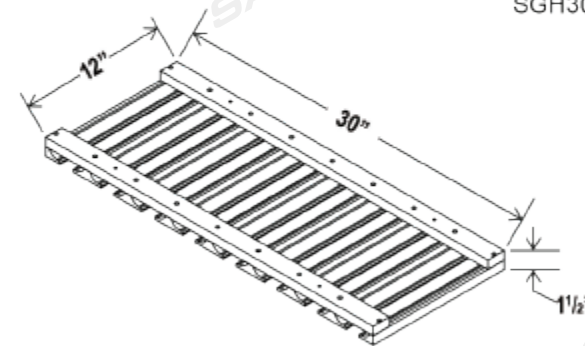
CLDL

Fluted Decorative Leg



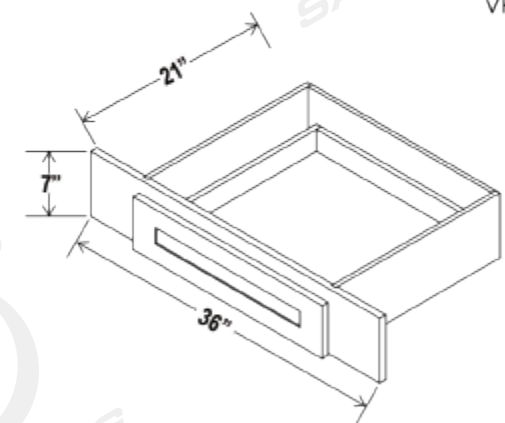
FLDL

Glass Holder



SGH30

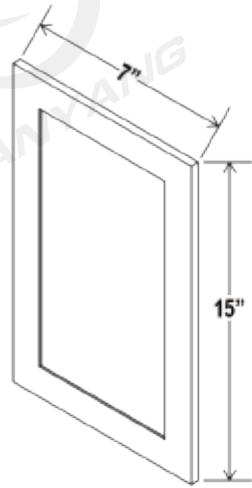
Knee Drawer



VKD36

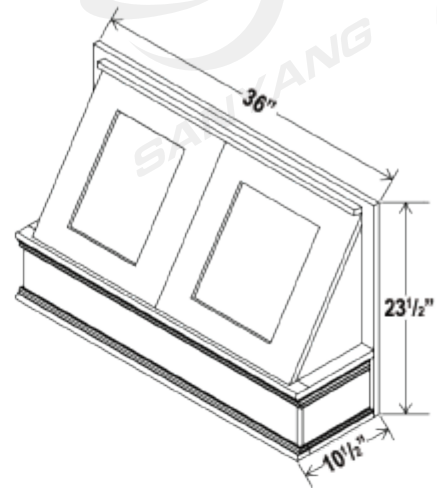
Accessories

Sample Door



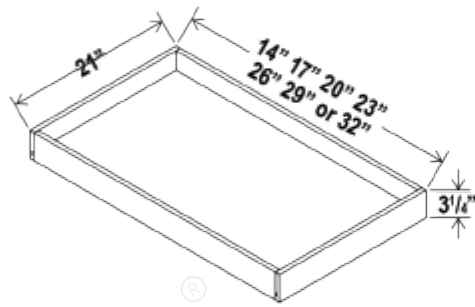
SD

Hood



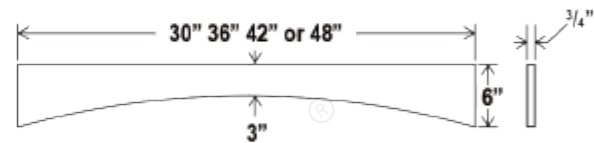
Hood

Roll Out Tray



- RS18
- RS21
- RS24
- RS27
- RS30
- RS33
- RS36

Arched Valance



- VA30
- VA36
- VA42
- VA48

Skyline Cabinetry Price List

WALL CABINETS

WALL CABINETS - 12"H

ITEM	PRODUCT DESCRIPTION	WEIGHT	CUBE	CW / CS	SE	SW / GR	FW
W1212GD	Wall Cabinet - 12"W x 12"H x 12"D - 1D	8	0.2				
W1512GD	Wall Cabinet - 15"W x 12"H x 12"D - 1D	10	0.4				
W1812GD	Wall Cabinet - 18"W x 12"H x 12"D - 1D	12	0.5				
W2112GD	Wall Cabinet - 21"W x 12"H x 12"D - 1D	14	0.6				
W2412GD	Wall Cabinet - 24"W x 12"H x 12"D - 2D	16	0.8				
W2712GD	Wall Cabinet - 27"W x 12"H x 12"D - 2D	18	1.0				
W3012	Wall Cabinet - 30"W x 12"H x 12"D - 2D	20	1.2				
W3012GD	Wall Glass Door Cabinet - 30"W x 12"H x 12"D - 2D	30	1.2				
W3312	Wall Cabinet - 33"W x 12"H x 12"D - 2D	24	1.4				
W3312GD	Wall Glass Door Cabinet - 33"W x 12"H x 12"D - 2D	32	1.4				
W3612	Wall Cabinet - 36"W x 12"H x 12"D - 2D	28	1.6				
W3612GD	Wall Glass Door Cabinet - 36"W x 12"H x 12"D - 2D	34	1.6				
W3912	Wall Cabinet - 39"W x 12"H x 12"D - 2D	36	1.6				

WALL CABINETS - 15"H

ITEM	PRODUCT DESCRIPTION	WEIGHT	CUBE	CW / CS	SE	SW / GR	FW
W3015	Wall Cabinet - 30"W x 15"H x 12"D - 2D	25	1.4				
W3315	Wall Cabinet - 33"W x 15"H x 12"D - 2D	28	1.6				
W3615	Wall Cabinet - 36"W x 15"H x 12"D - 2D	30	1.7				
W3915	Wall Cabinet - 39"W x 15"H x 12"D - 2D	35	1.9				

WALL CABINETS - 18"H

ITEM	PRODUCT DESCRIPTION	WEIGHT	CUBE	CW / CS	SE	SW / GR	FW
W3018	Wall Cabinet - 30"W x 18"H x 12"D - 2D	28	1.7				
W3018GD	Wall Cabinet - 30"W x 18"H x 12"D - 2D	22	1.7				
W3318	Wall Cabinet - 33"W x 18"H x 12"D - 2D	32	1.9				
W3618	Wall Cabinet - 36"W x 18"H x 12"D - 2D	35	2				

WALL CABINETS - 24"H

ITEM	PRODUCT DESCRIPTION	WEIGHT	CUBE	CW / CS	SE	SW / GR	FW
W3024	Wall Cabinet - 30"W x 24"H x 12"D - 2D - 1S	30	2.2				
W3324	Wall Cabinet - 33"W x 24"H x 12"D - 2D - 1S	33	2.4				
W3624	Wall Cabinet - 36"W x 24"H x 12"D - 2D - 1S	35	2.6				
W3924	Wall Cabinet - 39"W x 24"H x 12"D - 2D - 1S	37	2.8				

WALL CABINETS - 30"H

ITEM	PRODUCT DESCRIPTION	WEIGHT	CUBE	CW / CS	SE	SW / GR	FW
W0930	Wall Cabinet - 09"W x 30"H x 12"D - 1D -2S	28	1				
W1230	Wall Cabinet - 12"W x 30"H x 12"D - 1D -2S	31	1.2				
W1530	Wall Cabinet - 15"W x 30"H x 12"D - 1D -2S	36	1.6				
W1530GD	Wall Glass Door Cabinet - 15"W x 30"H x 12"D - 1D -2S	36	1.8				
W1830	Wall Cabinet - 18"W x 30"H x 12"D - 1D -2S	41	1.8				
W1830GD	Wall Glass Door Cabinet - 18"W x 30"H x 12"D - 1D -2S	40	2.2				
W2130	Wall Cabinet - 21"W x 30"H x 12"D - 1D -2S	45	2.1				
W2430	Wall Cabinet - 24"W x 30"H x 12"D - 2D -2S	52	2.4				
W2430GD	Wall Glass Door Cabinet - 24"W x 30"H x 12"D - 2D -2S	51	2.8				
W2730	Wall Cabinet - 27"W x 30"H x 12"D - 2D -2S	56	2.7				
W3030	Wall Cabinet - 30"W x 30"H x 12"D - 2D -2S	60	2.7				
W3030GD	Wall Glass Door Cabinet - 30"W x 30"H x 12"D -2D-2S	56	2.4				
W3330	Wall Cabinet - 33"W x 30"H x 12"D - 2D -2S	65	2.9				
W3630	Wall Cabinet - 36"W x 30"H x 12"D - 2D -2S	69	3.2				
W3930	Wall Cabinet - 39"W x 30"H x 12"D - 2D -2S	72	3.4				
W4230	Wall Cabinet - 42"W x 30"H x 12"D - 2D -2S	75	3.6				
W4830	Wall Cabinet - 48"W x 30"H x 12"D - 2D -2S	77	3.8				

WALL CABINETS - 36"H							
ITEM	PRODUCT DESCRIPTION	WEIGHT	CUBE	CW / CS	SE	SW / GR	FW
W0936	Wall Cabinet - 09"W x 36"H x 12"D - 1D -2S	32	1.4				
W1236	Wall Cabinet - 12"W x 36"H x 12"D - 1D -2S	36	1.4				
W1536	Wall Cabinet - 15"W x 36"H x 12"D - 1D -2S	41	1.8				
W1536GD	Wall Glass Door Cabinet - 15"W x 36"H x 12"D - 1D -2S	41	2.2				
W1836	Wall Cabinet - 18"W x 36"H x 12"D - 1D -2S	46	2.2				
W1836GD	Wall Glass Door Cabinet - 18"W x 36"H x 12"D - 1D -2S	44	2.4				
W2136	Wall Cabinet - 21"W x 36"H x 12"D - 1D -2S	51	2.5				
W2436	Wall Cabinet - 24"W x 36"H x 12"D - 2D -2S	59	2.8				
W2436GD	Wall Glass Door Cabinet - 24"W x 36"H x 12"D - 2D -2S	59	2.8				
W2736	Wall Cabinet - 27"W x 36"H x 12"D - 2D -2S	64	3.2				
W3036	Wall Cabinet - 30"W x 36"H x 12"D - 2D -2S	68	3.2				
W3036GD	Wall Glass Door Cabinet - 30"W x 36"H x 12"D -2D- 2S	63	3				
W3336	Wall Cabinet - 33"W x 36"H x 12"D - 2D -2S	73	3.5				
W3636	Wall Cabinet - 36"W x 36"H x 12"D - 2D -2S	78	3.7				
W3936	Wall Cabinet - 39"W x 36"H x 12"D - 2D -2S	81	4				
W4236	Wall Cabinet - 42"W x 36"H x 12"D - 2D -2S	83	4.2				
W4836	Wall Cabinet - 48"W x 36"H x 12"D - 2D -2S	85	4.4				

WALL CABINETS - 42"H							
ITEM	PRODUCT DESCRIPTION	WEIGHT	CUBE	CW / CS	SE	SW / GR	FW
W0942	Wall Cabinet - 09"W x 42"H x 12"D - 1D -3S	37	1.6				
W1242	Wall Cabinet - 12"W x 42"H x 12"D - 1D -3S	41	1.6				
W1542	Wall Cabinet - 15"W x 42"H x 12"D - 1D -3S	48	2.1				
W1542GD	Wall Glass Door Cabinet - 15"W x 42"H x 12"D - 1D -3S	47	2.5				
W1842	Wall Cabinet - 18"W x 42"H x 12"D - 1D -3S	54	2.5				
W1842GD	Wall Cabinet - 18"W x 42"H x 12"D - 1D -3S	54	2.5				
W2142	Wall Cabinet - 21"W x 42"H x 12"D - 1D -3S	60	2.8				
W2442	Wall Cabinet - 24"W x 42"H x 12"D - 2D -3S	68	3.2				
W2442GD	Wall Glass Door Cabinet - 24"W x 42"H x 12"D - 2D -3S	60	2.8				
W2742	Wall Cabinet - 27"W x 42"H x 12"D - 2D -3S	68	4.4				
W3042	Wall Cabinet - 30"W x 42"H x 12"D - 2D -3S	80	3.6				
W3042GD	Wall Glass Door Cabinet - 30"W x 42"H x 12"D -2D- 2S	75	3.2				
W3342	Wall Cabinet - 33"W x 42"H x 12"D - 2D -3S	85	4				
W3642	Wall Cabinet - 36"W x 42"H x 12"D - 2D -3S	91	4.3				
W3942	Wall Cabinet - 39"W x 42"H x 12"D - 2D -2S	93	4.5				
W4242	Wall Cabinet - 42"W x 36"H x 12"D - 2D -2S	95	4.8				
W4842	Wall Cabinet - 48"W x 36"H x 12"D - 2D -2S	98	5.1				

ANGLE WALL CABINETS							
ITEM	PRODUCT DESCRIPTION	WEIGHT	CUBE	CW / CS	SE	SW / GR	FW
AW1230	Angle Wall Cabinet - 12"W x 30"H x 12"D - 1D -2S	32	1.7				
AW1236	Angle Wall Cabinet - 12"W x 36"H x 12"D - 1D -2S	36	2				
AW1242	Angle Wall Cabinet - 12"W x 42"H x 12"D - 1D -3S	41	2.4				

DIAGONAL WALL CABINETS							
ITEM	PRODUCT DESCRIPTION	WEIGHT	CUBE	CW / CS	SE	SW / GR	FW
DCW2412GD	Wall Diagonal Glass Door Corner Cabinet -24"W x 12"H x 12"D - 1D -2S	36	1.7				
DCW2430	Wall Diagonal Corner Cabinet - 24"W x 30"H x 12"D - 1D -2S	70	3.1				
DCW2430GD	Wall Diagonal Glass Door Corner Cabinet - 24"W x 30"H x 12"D - 1D -2S	70	3.1				
DCW2436	Wall Diagonal Corner Cabinet - 24"W x 36"H x 12"D - 1D -2S	77	3.6				
DCW2436GD	Wall Diagonal Glass Door Corner Cabinet - 24"W x 36"H x 12"D - 1D -2S	77	3.6				
DCW2442	Wall Diagonal Corner Cabinet - 24"W x 42"H x 12"D - 1D -3S	92	4.1				
DCW2442GD	Wall Diagonal Glass Door Corner Cabinet - 24"W x 42"H x 12"D - 1D -3S	92	4.1				
DCW2712GD	Wall Diagonal Glass Door Corner Cabinet - 27"W x 12"H x 12"D x 1D -3S	56	1.8				
DCW2736	Wall Diagonal Corner Cabinet - 27"W x 36"H x 12"D - 1D -3S	110	4.6				
DCW2742	Wall Diagonal Corner Cabinet - 27"W x 42"H x 12"D - 1D -3S	110	4.6				

BLIND CORNER WALL CABINETS							
ITEM	PRODUCT DESCRIPTION	WEIGHT	CUBE	CW / CS	SE	SW / GR	FW
WBC2430	Wall Blind Corner Cabinet - 24"W x 30"H x 12"D - 1D -2S	51	2.5				
WBC2730	Wall Blind Corner Cabinet - 27"W x 30"H x 12"D - 1D -2S	53	2.7				
WBC3630	Wall Blind Corner Cabinet - 36"W x 30"H x 12"D - 1D -2S	56	2.8				
WBC2736	Wall Blind Corner Cabinet - 27"W x 36"H x 12"D - 1D -2S	59	3.2				
WBC2442	Wall Blind Corner Cabinet - 24"W x 42"H x 12"D - 1D -3S	66	3.4				
WBC2742	Wall Blind Corner Cabinet - 27"W x 42"H x 12"D - 1D -3S	69	3.6				
WBC3642	Wall Blind Corner Cabinet - 27"W x 36"H x 12"D - 1D -3S	71	3.8				

REFRIGERATOR WALL CABINETS							
ITEM	PRODUCT DESCRIPTION	WEIGHT	CUBE	CW / CS	SE	SW / GR	FW
W301224	Wall Refrigerator Cabinet-30"W x 12"H x 24"D - 2D	30	1.2				
W331224	Wall Refrigerator Cabinet-33"W x 12"H x 24"D - 2D	34	1.4				
W361224	Wall Refrigerator Cabinet - 36"W x 12"H x 24"D - 2D	40	2.8				
W301524	Wall Refrigerator Cabinet - 30"W x 15"H x 24"D - 2D	33	1.6				
W331524	Wall Refrigerator Cabinet - 33"W x 15"H x 24"D -2D	37	1.6				
W361524	Wall Refrigerator Cabinet - 36"W x 15"H x 24"D - 2D	43	2.5				
W301824	Wall Refrigerator Cabinet - 30"W x 18"H x 24"D - 2D	37	1.7				
W331824	Wall Refrigerator Cabinet - 33"W x 18"H x 24"D -2D	41	1.9				
W361824	Wall Refrigerator Cabinet - 36"W x 18"H x 24"D - 2D	45	1.9				
W302424	Wall Refrigerator Cabinet - 30"W x 24"H x 24"D - 2D -1S	53	2.3				
W332424	Wall Refrigerator Cabinet - 33"W x 24"H x 24"D -2D -1S	56	2.5				
W362424	Wall Refrigerator Cabinet - 36"W x 24"H x 24"D - 2D -1S	50	2.6				

WALL ACCESSORY CABINETS							
ITEM	PRODUCT DESCRIPTION	WEIGHT	CUBE	CW / CS	SE	SW / GR	FW
OE630	Wall End Shelf - 6"W x 30"H x 12"D - 2S	16	0.8				
OE636	Wall End Shelf - 6"W x 36"H x 12"D - 3S	19	0.9				
OE642	Wall End Shelf - 6"W x 42"H x 12"D - 4S	21	1				
PR3015	Wall Plate Rack Cabinet - 30"W x 15"H x 12"D	30	1.7				
WRC2430	Wall Wine Rack Cabinet - 24"W x 30"H x 12"D	40	2.6				
WRC3018	Wall Wine Rack Cabinet - 30"W x 18"H x 12"D	33	2				
WRC3015	Wall Wine Rack Cabinet - 30"W x 15"H x 12"D	30	1.8				
WSD630	Wall Spice Drawer - 30"W x 6"H x 12"D	32	1.8				

BASE CABINETS							
BASE CABINETS-34 1/2"H							
ITEM	PRODUCT DESCRIPTION	WEIGHT	CUBE	CW / CS	SE	SW / GR	FW
BT09	Base Cabinet - 9"W x 34-1/2"H x 24"D - 1D	38	2.0				
B12	Base Cabinet - 12"W x 34-1/2"H x 24"D - 1D, 1Drw, 1S	51	2.2				
B15	Base Cabinet - 15"W x 34-1/2"H x 24"D - 1D, 1Drw, 1S	57	2.9				
B18	Base Cabinet - 18"W x 34-1/2"H x 24"D - 1D, 1Drw, 1S	62	2.9				
B21	Base Cabinet - 21"W x 34-1/2"H x 24"D - 1D, 1Drw, 1S	66	2.9				
B24	Base Cabinet - 24"W x 34-1/2"H x 24"D - 2D, 1Drw, 1S	72	2.9				
B27	Base Cabinet - 27"W x 34-1/2"H x 24"D - 2D, 1Drw, 1S	78	3.3				
B30	Base Cabinet - 30"W x 34-1/2"H x 24"D - 2D, 2Drw, 1S	89	3.8				
B33	Base Cabinet - 33"W x 34-1/2"H x 24"D - 2D, 2Drw, 1S	94	4.0				
B36	Base Cabinet - 36"W x 34-1/2"H x 24"D - 2D, 2Drw, 1S	100	4.3				
B42	Base Cabinet - 42"W x 34-1/2"H x 24"D - 2D, 2Drw, 1S	109	4.5				
B48	Base Cabinet - 48"W x 34-1/2"H x 24"D - 2D, 2Drw, 1S	118	4.7				
MB33	Microwave Base Cabinet - 33"W x 34-1/2"H x 24"D -1Drw	94	4.0				

SINK BASES-34 1/2"H							
ITEM	PRODUCT DESCRIPTION	WEIGHT	CUBE	CW / CS	SE	SW / GR	FW
SB27	Sink Base - 27"W x 34-1/2"H x 24"D - 1 False Drawer	60	3.0				
SB30	Sink Base - 30"W x 34-1/2"H x 24"D - 2 False Drawers	64	3.3				
SB33	Sink Base - 33"W x 34-1/2"H x 24"D - 2 False Drawers	70	3.5				
SB36	Sink Base - 36"W x 34-1/2"H x 24"D - 2 False Drawers	76	3.8				
CSB36	Corner Sink Base - 36"W x 34-1/2"H x 24"D	96	4.1				
DCSF42	Corner Sink Base Front - 26-1/4"W x 30"H - for use with SBF4242	29	1.5				
SBF4242	Corner Sink Front Floor - 42"W x 42"H - for use with DCSF42	23	1.0				
FSB36	Farmer Sink base 36"W	76	3.5				

DRAWER BASES - 34 1/2"H							
ITEM	PRODUCT DESCRIPTION	WEIGHT	CUBE	CW / CS	SE	SW / GR	FW
3DB12	Drawer Base Cabinet - 12"W x 34-1/2"H x 24"D - 3DRW	75	3.0				
3DB15	Drawer Base Cabinet - 15"W x 34-1/2"H x 24"D - 3DRW	82	3.2				
3DB18	Drawer Base Cabinet - 18"W x 34-1/2"H x 24"D - 3DRW	89	3.7				
3DB21	Drawer Base Cabinet - 21"W x 34-1/2"H x 24"D - 3DRW	95	3.8				
3DB24	Drawer Base Cabinet - 24"W x 34-1/2"H x 24"D - 3DRW	102	3.8				
3DB30	Drawer Base Cabinet - 30"W x 34-1/2"H x 24"D - 3DRW	117	4.6				
3DB36	Drawer Base Cabinet - 36"W x 34-1/2"H x 24"D - 3DRW	132	5.5				

ANGLE CORNER CABINETS							
ITEM	PRODUCT DESCRIPTION	WEIGHT	CUBE	CW / CS	SE	SW / GR	FW
BEC24	Base End Cabinet - 24"W x 34-1/2"H x 24"D - 2D	76	2.8				

LAZY SUSAN BASE CABINETS							
ITEM	PRODUCT DESCRIPTION	WEIGHT	CUBE	CW / CS	SE	SW / GR	FW
ERB33	Easy Reach Base Cabinet - 33"W x 34-1/2"H - 1D	89	4.1				
ERB36	Easy Reach Base Cabinet - 36"W x 34-1/2"H - 1D	99	4.6				
LSB33-C	Lazy Susan Cabinet - 33"W x 34-1/2"H - 1D (Chrome Basket)	89	4.1				
LSB36-C	Lazy Susan Cabinet - 36"W x 34-1/2"H - 1D (Chrome Basket)	99	4.6				
LSB33-W	Lazy Susan Cabinet - 33"W x 34-1/2"H - 1D (Wood Basket)	92	4.1				
LSB36-W	Lazy Susan Cabinet - 36"W x 34-1/2"H - 1D (Wood Basket)	102	4.6				

BLIND CORNER BASE CABINETS							
ITEM	PRODUCT DESCRIPTION	WEIGHT	CUBE	CW / CS	SE	SW / GR	FW
BBC36	Blind Base Corner Cabinet - 27"W x 34-1/2"H x 24"D -1D, 1Drw, 1S *Install range 37" min., 40" max; Specify Left/Right Hinge assembly	70	3.5	346	328	311	243
BBC42	Blind Base Corner Cabinet - 39"W x 34-1/2"H x 24"D -1D, 1Drw, 1S *Install range 43" min., 46" max; Specify Left/Right Hinge assembly	87	4.6	421	399	378	395

ACCESSORY BASE CABINETS							
ITEM	PRODUCT DESCRIPTION	WEIGHT	CUBE	CW / CS	SE	SW / GR	FW
BES12	Base End Shelf Cabinet - 12"W x 34-1/2"H x 24"D	52	1.6				
BSDC6	Base Spice Drawer - 34 1/2"W x 24"H x 6"D - 5DRW	30	1.5				
DFB18	Two Drawer Base Cabinet - 18"	68	2.7				
BWB18	Base Waste Basket - 18" x 34 1/2 x 24	75	3.2				
SPB6	Spice Pull Base Cabinet - 6"W x 34-1/2"H x 24"D	32	1.6				
SPB9	Spice Pull Base Cabinet - 9"W x 34-1/2"H x 24"D	32	1.6				

OVEN CABINETS & PANTRIES							
OVEN CABINETS							
ITEM	PRODUCT DESCRIPTION	WEIGHT	CUBE	CW / CS	SE	SW / GR	FW
O308424	Oven Cabinet - 30"W x 84"H X 24"D - 2D, 3DRW, 1S	200	8.6				
O309024	Oven Cabinet - 30"W x 90"H X 24"D - 2D, 3DRW, 1S	215	9				
O309624	Oven Cabinet - 30"W x 96"H X 24"D - 2D, 3DRW, 1S	233	9.5				
O338424	Oven Cabinet - 33"W x 84"H X 24"D - 2D, 3DRW, 1S	215	9				
O339024	Oven Cabinet - 33"W x 90"H X 24"D - 2D, 3DRW, 1S	233	9.6				
O339624	Oven Cabinet - 33"W x 96"H X 24"D - 2D, 3DRW, 1S	242	10.2				

MICROWAVE OVEN CABINETS							
ITEM	PRODUCT DESCRIPTION	WEIGHT	CUBE	CW / CS	SE	SW / GR	FW
MO3030	Microwave Oven Cabinet - 30"W x 30"H x 12"D - 2D, 1S	51	2.9				
MO3036	Microwave Oven Cabinet - 30"W x 36"H x 12"D - 2D, 1S	59	3.4				
MO3042	Microwave Oven Cabinet - 30"W x 42"H x 12"D - 2D, 1S	66	4				

TALL PANTRIES							
ITEM	PRODUCT DESCRIPTION	WEIGHT	CUBE	CW / CS	SE	SW / GR	FW
U188424	Wall Pantry - 18"W x 84"H x 24"D - 2D, 5S	136	6.6				
U248424	Wall Pantry - 24"W x 84"H x 24"D - 4D, 5S	165	6.7				
U308424	Wall Pantry - 30"W x 84"H x 24"D - 4D, 5S	194	6.8				
U189024	Wall Pantry - 18"W x 90"H x 24"D - 2D, 5S	143	7				
U249024	Wall Pantry - 24"W x 90"H x 24"D - 4D, 5S	172	7.1				
U309024	Wall Pantry - 30"W x 90"H x 24"D - 4D, 5S	201	7.2				
U189624	Wall Pantry - 18"W x 96"H x 24"D - 2D, 5S	150	7.5				
U249624	Wall Pantry - 24"W x 96"H x 24"D - 4D, 5S	180	7.6				
U309624	Wall Pantry - 30"W x 96"H x 24"D - 4D, 5S	210	7.7				

VANITIES							
VANITY SINK CABINETS							
ITEM	PRODUCT DESCRIPTION	WEIGHT	CUBE	CW / CS	SE	SW / GR	FW
V524	Vanity Sink Base Cabinet - 24"W x 34 1/2"H x 21"D	56	2.6				
V527	Vanity Sink Base Cabinet - 27"W x 34 1/2"H x 21"D	60	2.9				
V530	Vanity Sink Base Cabinet - 30"W x 34 1/2"H x 21"D	64	3.2				
V536	Vanity Sink Base Cabinet - 36"W x 34 1/2"H x 21"D	73	3.8				

VANITY DRAWER CABINETS							
ITEM	PRODUCT DESCRIPTION	WEIGHT	CUBE	CW / CS	SE	SW / GR	FW
3VDB12	Vanity Drawer Base Cabinet - 12"W x 34 1/2"H x 21"D - 3 DRW	68	2.8				
3VDB15	Vanity Drawer Base Cabinet - 15"W x 34 1/2"H x 21"D - 3 DRW	74	2.8				
3VDB18	Vanity Drawer Base Cabinet - 18"W x 34 1/2"H x 21"D - 3 DRW	80	2.8				

VANITY COMBINATION CABINETS							
ITEM	PRODUCT DESCRIPTION	WEIGHT	CUBE	CW / CS	SE	SW / GR	FW
V3021DL	Vanity Sink Base - 30"W x 34 1/2" x 21"D - 1D, 3 Left DRW	96	4.6				
V3021DR	Vanity Sink Base - 30"W x 34 1/2" x 21"D - 1D, 3 Right DRW	96	4.6				
V3621DL	Vanity Sink Base - 36"W x 34 1/2" x 21"D - 1D, 3 Left DRW	106	5.3				
V3621DR	Vanity Sink Base - 36"W x 34 1/2" x 21"D - 1D, 3 Right DRW	106	5.3				
VSD36	Vanity Sink Drawer Base Cabinet - 36"W x 34 1/2"H x 21"D - 2 DRW	85	3.8				
VSD42	Vanity Sink Drawer Base Cabinet - 42"W x 34 1/2"H x 21"D - 2 DRW	95	4.3				
VSD48	Vanity Sink Drawer Base Cabinet - 48"W x 34 1/2"H x 21"D - 2 DRW	104	4.9				

MOULDINGS							
MOULDINGS							
ITEM	PRODUCT DESCRIPTION	WEIGHT	CUBE	CW / CS	SE	SW / GR	FW
BAM	Batten Moulding - 96"W x 3/4"H x 1/4"D	1	0				
BCM8 (DCM)	Decorative Crown Moulding - 96"W x 4 3/8"H x 11/16"D	7	0.2				
CM8	Crown Moulding - 96"W x 2 3/4"H x 5/8"D	4	0.1				
COV	Cove Crown Moulding - 96"W x 3 5/8"H x 2 1/2"D	10	0.3				
ACM8	Angle Crown Moulding - 96"W x 3 5/8"H x 2 1/2"D	1	0.3				
DMTIS	Dentil Moulding - 96"W x 11/16"H x 3/8"D	1	0				
FBM	Furniture Base MOULDING - 96"W x 4 5/8"H x 3/4"D	11	0.3				
LRM8	Light Rail Moulding - 96"W x 1 9/16"H x 2 1/4"D	5	0.1				
ALRM8	Angle Light Trail Molding - 96"W x 1 9/16"H x 2 1/4"D	1	0.3				
OCM8	Outside Corner Moulding - 96"W x 3/4"H x 3/4"D	2	0				
RCM45 (LCM)	Inset Crown Moulding - 96"W x 4 3/16"H x 7/8"D	8	0.3				
ROPE	Rope Moulding - 96"W x 3/4"H x 3/8"D	1	0				
SHM	Shoe Moulding - 96"W x 11/16"H x 11/15"D	1	0				
SMB (SCR)	Scribe Moulding - 96"W x 1/4"H x 5/8"D	1	0				

FILLERS & PANELS

FILLERS

ITEM	PRODUCT DESCRIPTION	WEIGHT	CUBE	CW / CS	SE	SW / GR	FW
F342	Wall Filler - 3"W x 42"H x 3/4"D	3	0.1				
F396	Tall Filler - 3"W x 96"H x 3/4"D	6	0.2				
F642	Wall Filler - 6"W x 42"H x 3/4"D	6	0.2				
F696	Tall Filler - 6"W x 96"H x 3/4"D	12	0.4				
FF396	Fluted Tall Filler - 3"W x 96"H x 3/4"D	7	0.2				

PANELS

ITEM	PRODUCT DESCRIPTION	WEIGHT	CUBE	CW / CS	SE	SW / GR	FW
BBFPV4296	Finished Bead Board Plywood Panel - 96"W x 42"H x 1/4"D	47	2.4				
BDEP	Base Decorative Door Panel - 23 1/2"W x 29"H	18	0.7				
BSV	Base Skin Veneer Panel - 23 1/4"W x 34 1/2"H x 1/4"D	4	0.1				
DWR3	Dishwasher Return Panel w/3"W Filler - 24"W X 34-1/2"H X 1/2"D	16	0.8				
FPV4296	Finished Plywood Panel - 96"W x 42"H x 1/4"D	47	2.4				
REPV2496	Refrigerator End Panel Veneer - 24"W x 96"H x 1 1/2"D	41	2.2				
REPV2796	Refrigerator End Panel Veneer - 27"W x 96"H x 1 1/2"D	45	2.6				
TKC	Toe Kick 8' Plywood - 96"W x 4 1/2"H x 1/8"D	2	0.1				
USV2496	Tall Skin Veneer Panel - 23 1/4" W x 96"H x 1/4"D	10	0.4				
WDEP30	Wall Decorative Door Panel - 11 1/2"W x 29"H	10	0.4				
WDEP36	Wall Decorative Door Panel - 11 1/2"W x 35"H	12	0.4				
WDEP42	Wall Decorative Door Panel - 11 1/2"W x 41"H	14	0.5				
TDEP2484	Tall Decorative Door Panel - 23 1/2" W x 78 1/2"H	30	0.3				
TDEP2490	Tall Decorative Door Panel - 23 1/2" W x 84 1/2"H	30	0.3				
TDEP2496	Tall Decorative Door Panel - 23 1/2" W x 90 1/2"H	30	0.3				
WSV42	Wall Skin Panel - 15"W x 42"H x 1/4"D	3	0.1				

ACCESSORIES

ACCESSORIES

ITEM	PRODUCT DESCRIPTION	WEIGHT	CUBE	CW / CS	SE	SW / GR	FW
CB9	Corbel - 2"W x 9"H x 9"D	3	0.1				
CBT	Corbel - 3"W x 12 3/4" x 6"D	6	0.2				
CLDL	Classic Decorative Leg - 3"W x 34 1/2"H x 3"D	10	0.3				
FLDL	Fluted Decorative Leg - 3"W x 34 1/2"H x 3"D	10	0.3				
S2496	Shelf Board - 24"W x 96"H X 3/4"D	37	1.4				
SGH30	Stem Wine Glass Holder - 30"W x 1 1/2"H x 12"D	10	0.6				
VA36	Arched Valance - 36"W x 6"H x 3/4"D	4	0.1				
VA42	Arched Valance - 42"W x 6"H x 3/4"D	5	0.2				
VA48	Arched Valance - 48"W x 6"H x 3/4"D	6	0.2				
VKD36	Knee Drawer - 36"W x 7"H x 21"D	29	1.6				
HOOD	Hood	35	2.1				

TRAYS

ITEM	PRODUCT DESCRIPTION	WEIGHT	CUBE	CW / CS	SE	SW / GR	FW
RS18	Roll Out Tray - Fits B18	11	0.5				
RS21	Roll Out Tray - Fits B21	12	0.6				
RS24	Roll Out Tray - Fits B24	14	0.7				
RS27	Roll Out Tray - Fits B27	15	0.8				
RS30	Roll Out Tray - Fits B30	16	0.9				
RS33	Roll Out Tray - Fits B33	17	0.9				
RS36	Roll Out Tray - Fits B36	18	1				

SAMPLE DOORS

ITEM	PRODUCT DESCRIPTION	WEIGHT	CUBE	CW / CS	SE	SW / GR	FW
SD	Sample Door - 11"W x 15"H	7	0.1				

SANYANG
WOOD INDUSTRY CO.,LTD.





SANYANG
WOOD INDUSTRY CO.,LTD.



WELCOME

Thank you for choosing sanyang cabinets , our commitment to quality ,service and delivery time affordability will make our relationship a favorable one. It is our goal at sanyang cabinet to always have the cabinets fast delivery and best quality at right price .

1. Sanyang cabinets is based shouguang shandong ,china 262700 , with more than 1300 workers and more than 400 containers per month cabinets products ability .
2. Sanyang cabinets have Two warehouse in USA with more than 160000 sku's in stock .always have stock every time .
3. Sayang cabinets have factory in russia for the raw solid birch wood material to support have enough good material to produce on time .
4. Sanyang cabinets have frame and frameless cabinets and highglossy cabinets two products line, more than 10 Style design in stock
5. Sanyang cabinets have more than 90000 sqm factory area to gurantee all order delivery within in 6 weeks .
6. Sanyang cabinets have the quality cerficate , CARB ,CE , ISO9001 ,And the muber of NKBA & KCMA
7. Sanyang cabinets have the VOC products system to provide the best healthy oil painting kitchen cabinet

Once again ,we appreciated your support and our deepest thanks for the opportunity to serve you

Sincerely

Sang Jun De

Preident of sanyang wood